

# Product Specification

## LED Light Bar for Meat Production

Product size: 35 x 38 x 1200 mm



### Product Definition

- LED animal grow light is using LED possessed special light spectrums to functionate at the animals to enhance the animal's absorption of the vitamin, hence, improved the absorption of the calcium to promote the fast growth of the animals and enhance the muscle resistance of the animals. Through improving the release time and amount of the sex hormone to directly influence the sex maturity and ovulatory cycle to increase the animal's production of eggs

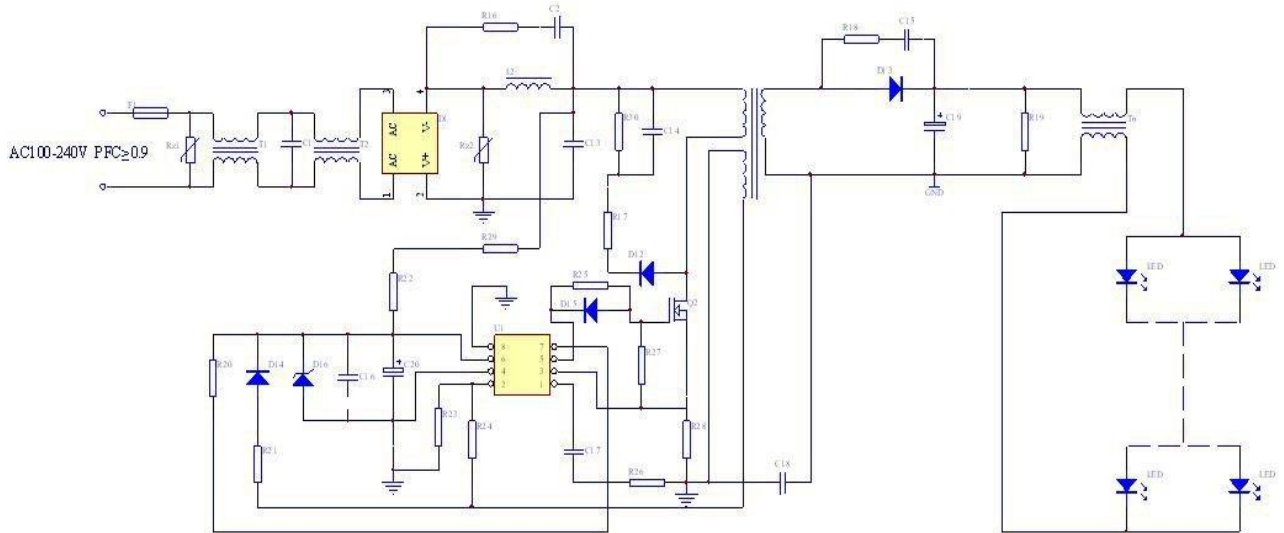
### Product Features

- This product is for promoting egg production
- 1w high power LEDs
- The lamp can be series connected and centralized turn on/off
- Water-proof design, suitable for using in some special growing area

# Product Specification

## Product Properties

### Product working circuit schematic diagram



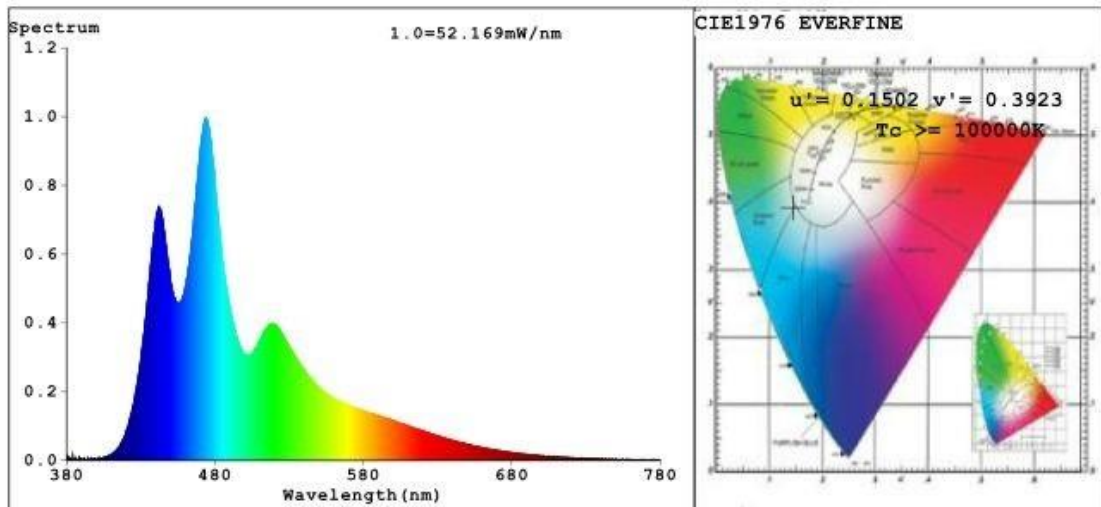
Attention: This diagram is for reference only, We have the right for the designing changes at any time in case we deem it necessary and will not be notified by our company!

### Product basic working technical data

Power	Real Consumption	Input Voltage	Working Frequency
18W	220V: 17.89W	AC100 – 240V	50/60Hz
LEDs	Flux	PF	Type of lens
1W High Power leds	$\geq 870.20\text{LM}$	$\geq 0.9212$	Tempered glass

# Product Specification

## Product photoelectrical testing data



### Color Parameters:

Chromaticity Coordinate:  $x=0.2040$   $y=0.2369$  /  $u'=0.1502$   $v'=0.3923$

$T_c=100000K$  (Duv=0.0308) Dominant WL:Ld =481.3nm Purity=52.2%

Peak WL:Lp=474.0nm HWL:Lhd=28.8nm

Render Index:Ra=69.4 CRI=64.5

R1 =67 R2 =84 R3 =65 R4 =53 R5 =74 R6 =83 R7 =73

R8 =57 R9 =0 R10=71 R11=49 R12=80 R13=70 R14=79 R15=60

### Photo Parameters:

Flux = 870.2 lm Eff. : 48.65 lm/W  $F_e = 3.931$  W

Fmol(umol/s):1.645e+000 Fluorescence and blue light ratio:1.125 Fluorescent effici

### Electrical parameters:

V = 221.3 V I = 0.08774 A P = 17.89 W PF = 0.9212

Status: Integral T = 10 ms  $I_p = 8345$  (13%)

Test Type: Fast Test; Delicacy = High; Tecool: ON

# Product Specification

## 3.4 Product illumination testing data & Graphic

### ➤ Illumination graph

A= 377 lux    Height

B= 349 lux

C= 173 lux

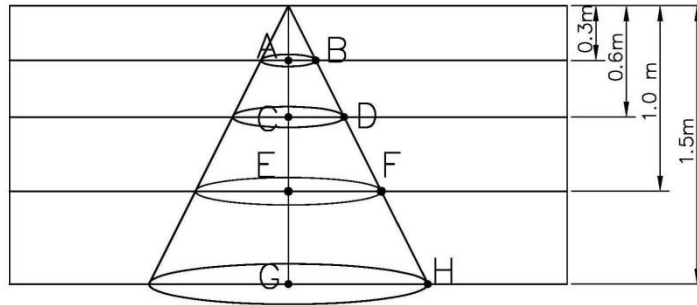
D= 143 lux

E= 86 lux

F= 63 lux

G= 37 lux

H= 35 lux

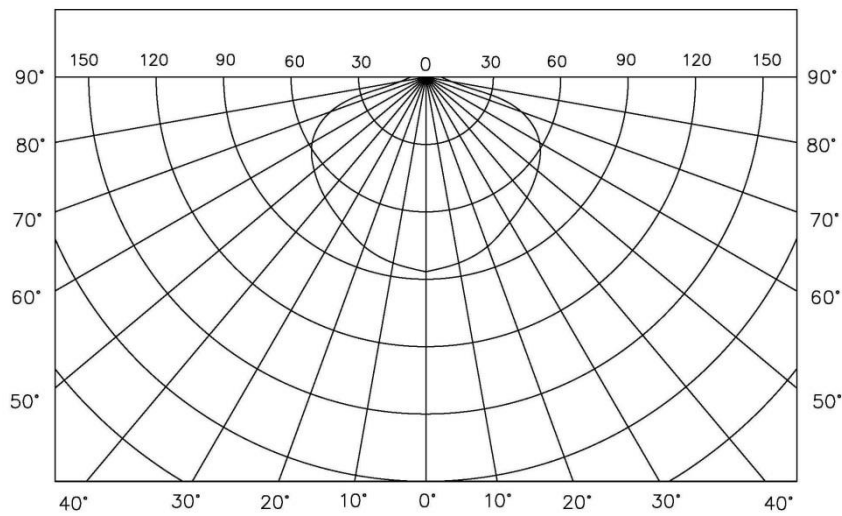


LED ANIMALS LIGHT

### ➤ Illumination curve line graph

Unit: Lux

— Illumination distribution line



LED ANIMALS LIGHT

# Product Specification

## Product Main Material

### Driver

- Wide voltage design, AC100V - 240V, 50/60Hz, meets all countries input voltage requirement
- Isolating power supply design, ensures safety in usage

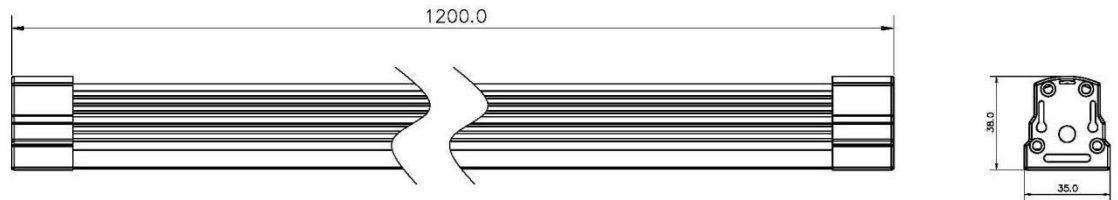
### LEDs

- Using EpiLED chips, self-encapsulated LEDs.

### Heat Dissipation

- Adopting high heat conductive materials: AL6063.

## Product Size & Package

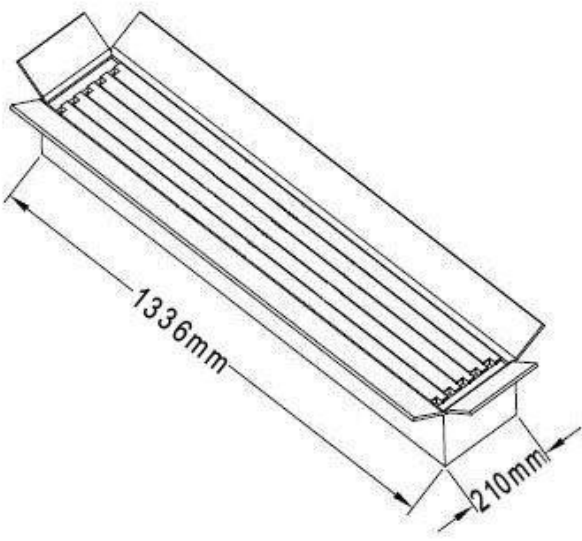


## Product packing info

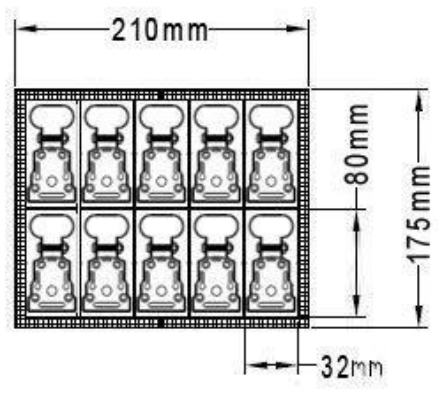
Product NW.	Box Size	Carton Size		
		Size	GW.	Qty/ Carton
1120.5gg	1240*82*40mm	1336*210*175mm	13.75KG	10 pieces

# Product Specification

## Product packing illustration



Production carton  
10PCS/carton



Sectional view

## Carton label

Dimension:	Quantity:
1336*210*175mm	10PCS
Weight:	Date:
13.75Kg	2012-8-22

Barcode

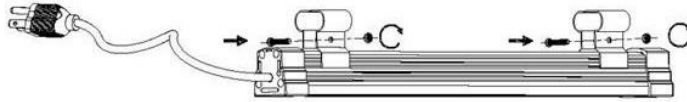
Carton no:1/1

↑ ↑      ☪      ☂

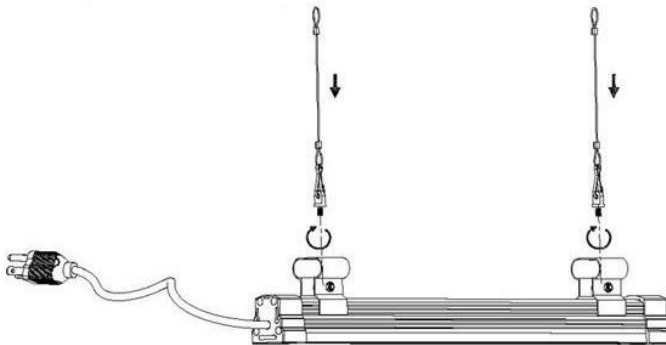
# Product Specification

## Product Installation Illustration

1. Moving the two lamp holders from two tube ends to a proper place and turn the set screw tight on the holder to to fixing the holder on the lamp



2. Using the two hookers on the two ends of stainless steel wire to connect the lamp holder and top fixing point. Then plug in the power plug



## QA & Safety Standard

### Quality control per ISO9001 -2008 Standard

- Product quality control
  - ◇ Finish product QC inspection standard: MIL-STD-105E C=0
  - ◇ Production processing QC standard: GB 2829—87 - Periodical checking and sampling procedures
  - ◇ QC confirm every production step and keep record
- Raw material & Components quality control
  - ◇ Driver: Per MIL-STD-105E C=0
  - ◇ LEDs : Per MIL-STD-105E C=0
  - ◇ Heat dissipation: Per MIL-STD-105E C=0

# Product Specification

## Quality Controlling Items

- Switching Test: Switch on/off for 10 times with interval time 10 sec.
- Reliability Tests:

	Conditions
High Temperature Operation Test	Ta=50°C, 240hrs
Low Temperature Operation Test	Ta=-20°C, 240hrs
High Temperature Storage Test	Ta=70°C, 240hrs
Low Temperature Storage Test	Ta=-30°C, 240hrs
High Temperature and High Humidity Test	Ta=40°C, 95%RH, 240hrs

- Aging Test: Default two days or Per customer requirement

Voltage	Testing Condition	Duration Time
110V	Room Temperature	72 H
220V	Room Temperature	24 H

- Safety Test: Leakage current test, Grounding test
- Illumination Test

## Product Safety Certificates

- CE, RoHS, FCC

## Product Warranty Statement

- LED light life span is usually about 50,000 hours, Base on following terms, we warrant our LED lamps to be free from defects in material and workmanship and to operate from the date of manufacture for the time period of 3 years.

### Terms and Conditions:

This warranty will not apply in the event of conditions demonstrating abnormal use or stress, such as operating temperatures in excess of maximum rated temperatures, under/over voltage conditions, excessive switching cycles or operating hours, dirty or broken sockets, or improper lamp installation. Replacement of LED driver board provided by us with any other product will void entire warranty.

The user shall promptly return the product at the user's expense to us after receiving instructions as if, when and where to ship product. Failure to follow this procedure shall void this warranty

NO labor allowance is made for any lamp replacement during the warranty period. Any labor option or cost that is not pre-approved by us will not be eligible for reimbursement.

We reserves the right to examine all failed lamps and reserves the right to be the sole judge as to whether any lamps are defective and covered under this warranty.



# Product Specification

## **Product Usage Attention Items**

- Please cut off the power before installation and maintenance.
- LED product is much more durable for collision, knocking, but do not do it for longer life
- Plug in and the light is on working, do not intentionally connect the light to other electronic components, such as, ballast, transformer, etc.
- Indoor use, forbid to expose to out-door or get wet.