

Product Specification

Product Name: LED Water-proof Animal Grow Light

Product size: 35 x 38 x 1200 mm



Product Definition

- LED animal grow light is using LED possessed special light spectrums to functionate at the animals to enhance the animal's absorption of the vitamin, hence, improved the absorption of the calcium to promote the fast growth of the animals and enhance the muscle resistance of the animals. Through improving the release time and amount of the sex hormone to directly influence the sex maturity and ovulatory cycle to increase the animal's production of eggs

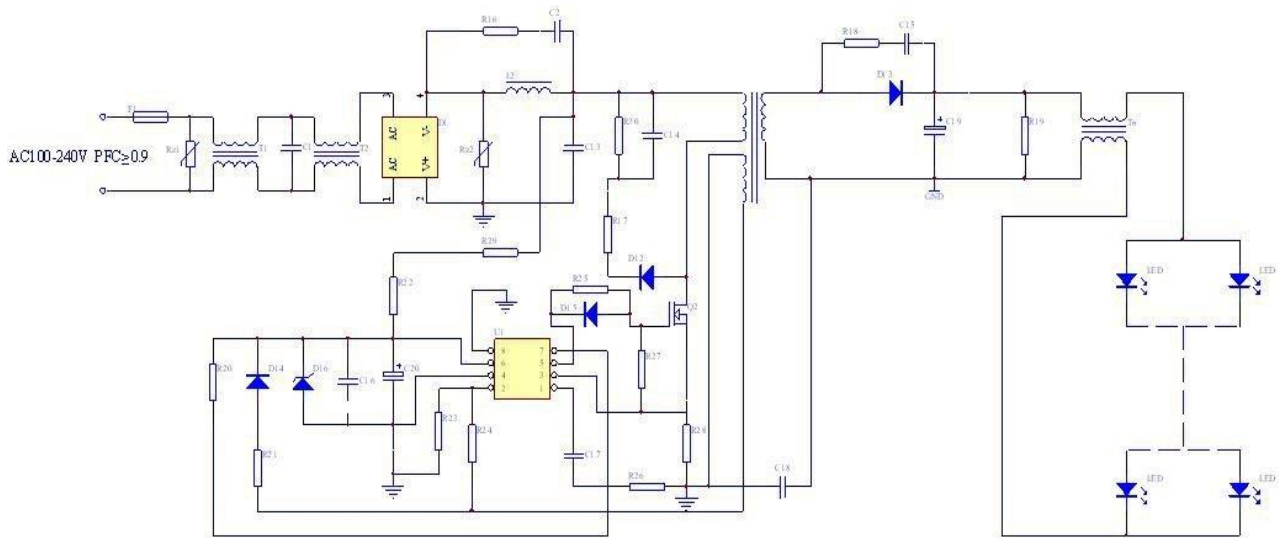
Product Features

- This product is for promoting egg production
- 1w high power LEDs
- The lamp can be series connected and centralized turn on/off
- Water-proof design, suitable for using in some special growing area

Product Specification

Product Properties

Product working circuit schematic diagram



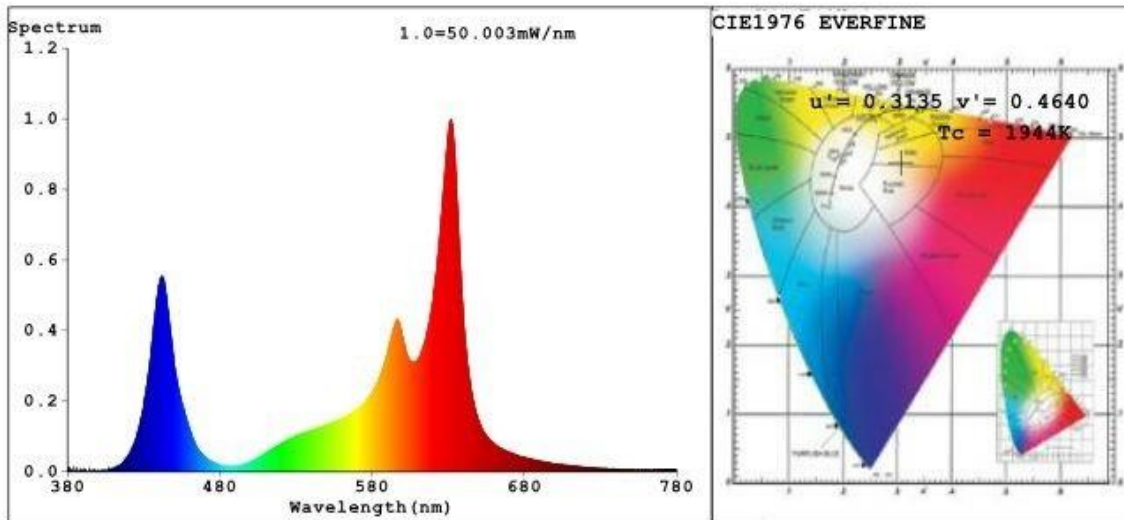
Attention: This diagram is for reference only, We have the right for the designing changes at any time in case we deem it necessary and will not be notified by our company!

Product basic working technical data

Power	Real Consumption	Input Voltage	Working Frequency
18W	220V: 15.01W	AC100 – 240V	50/60Hz
LEDs	Flux	PF	Type of lens
1W High Power leds	$\geq 751.30\text{LM}$	≥ 0.9163	Tempered glass

Product Specification

Product photoelectrical testing data



Color Parameters:

Chromaticity Coordinate: $x=0.4369$ $y=0.2874$ / $u'=0.3135$ $v'=0.4640$

$T_c=1944K$ (Duv=-0.0503) Dominant WL: $L_d = 650.0nm$ Purity=28.4%

Peak WL: $L_p=632.0nm$ HWL: $L_{hd}=19.3nm$

Render Index: $R_a=79.6$ CRI=77.6

R1 =96 R2 =86 R3 =80 R4 =79 R5 =96 R6 =70 R7 =64

R8 =66 R9 =57 R10=77 R11=83 R12=47 R13=93 R14=93 R15=96

Photo Parameters:

Flux = 751.3 lm Eff. : 50.06 lm/W $F_e = 2.908 W$

$F_{mol}(\mu mol/s) : 1.387e+000$ Fluorescence and blue light ratio:3.454 Fluorescent effici

Electrical parameters:

$V = 221.3 V$ $I = 0.07400 A$ $P = 15.01 W$ PF = 0.9163

Status: Integral T = 10 ms $I_p = 13092 (20\%)$

Test Type: Fast Test; Delicacy = High; Tecool: ON

Product Specification

Product illumination testing data & Graphic

➤ Illumination graph

A= 377 lux Height

B= 349 lux

C= 173 lux

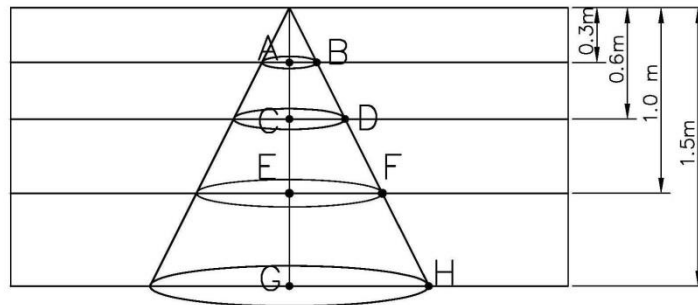
D= 143 lux

E= 86 lux

F= 63 lux

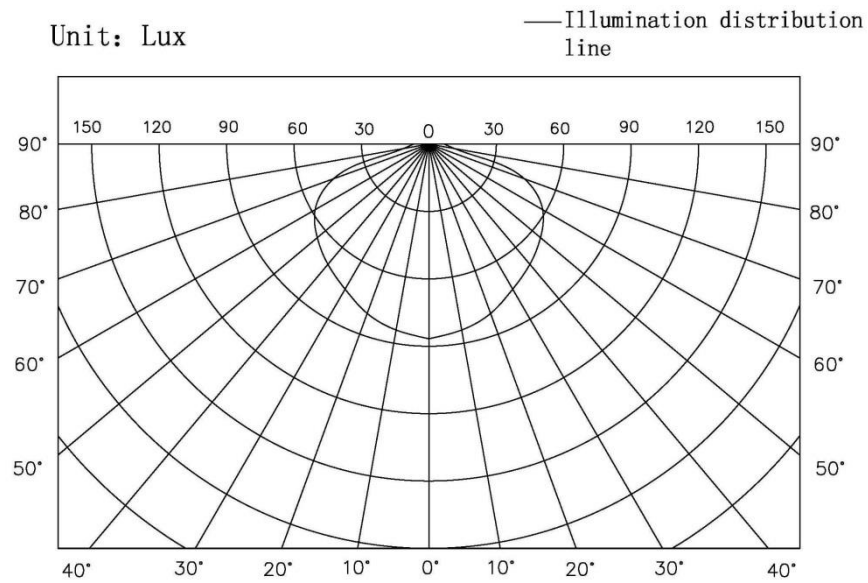
G= 37 lux

H= 35 lux



LED ANIMALS LIGHT

➤ Illumination curve line graph



LED ANIMALS LIGHT

Product Specification

Product Main Material

Driver

- Wide voltage design, AC100V - 240V , 50/60Hz, meets all countries input voltage requirement
- Isolating power supply design, ensures safety in usage

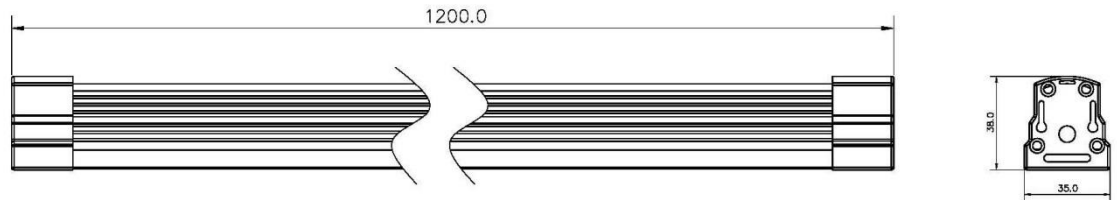
LEDs

- Using EpiLED chips, self-encapsulated LEDs

Heat Dissipation

- Adopting high heat conductive materials: AL6063.

Product Size & Package

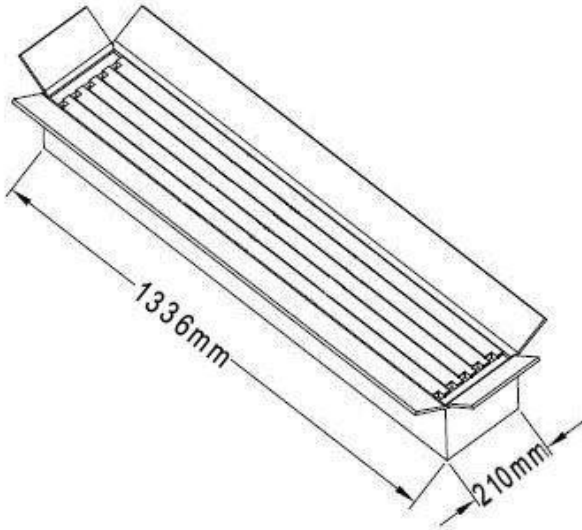


Product packing info

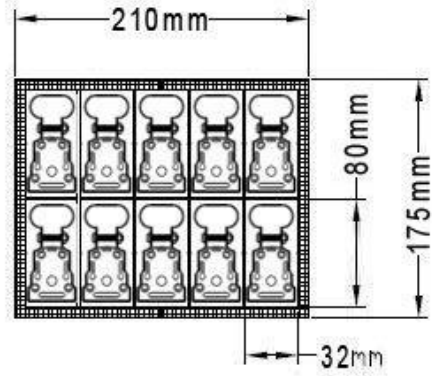
Product NW.	Box Size	Carton Size		
		Size	GW.	Qty/ Carton
1120.5g	1240*82*40mm	1336*210*175mm	13.75KG	10 pieces

Product Specification

Product packing illustration

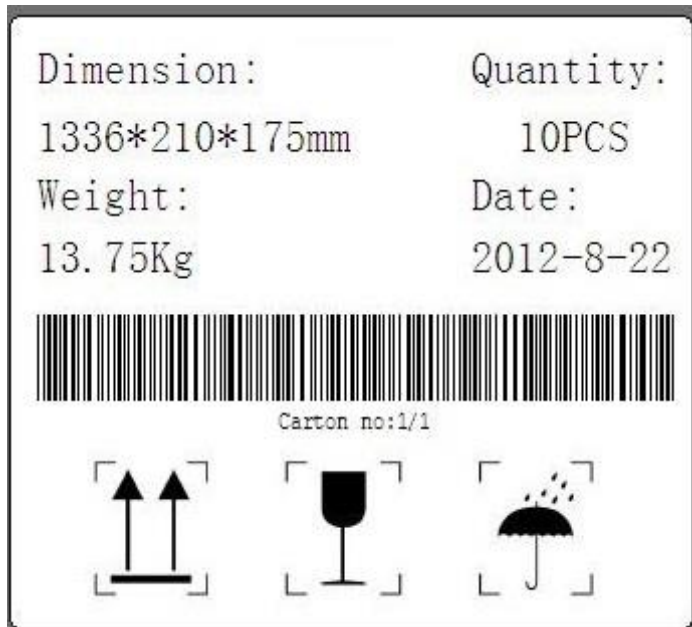


Production carton
10PCS/carton



Sectional view

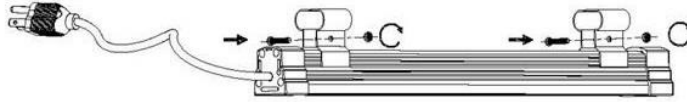
Carton label



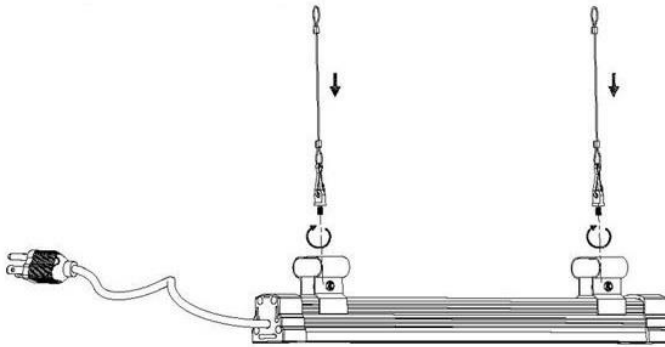
Product Specification

Product Installation Illustration

1. Moving the two lamp holders from two tube ends to a proper place and turn the set screw tight on the holder to to fixing the holder on the lamp



2. Using the two hookers on the two ends of stainless steel wire to connect the lamp holder and top fixing point. Then plug in the power plug



QA & Safety Standard

Quality control per ISO9001 -2008 Standard

- Product quality control
 - ◇ Finish product QC inspection standard: MIL-STD-105E C=0
 - ◇ Production processing QC standard: GB 2829—87 - Periodical checking and sampling procedures
 - ◇ QC confirm every production step and keep record
- Raw material & Components quality control
 - ◇ Driver: Per MIL-STD-105E C=0
 - ◇ LEDs : Per MIL-STD-105E C=0
 - ◇ Heat dissipation: Per MIL-STD-105E C=0

Product Specification

Quality Controlling Items

- Switching Test: Switch on/off for 10 times with interval time 10 sec.
- Reliability Tests:

	Conditions
High Temperature Operation Test	Ta=50°C, 240hrs
Low Temperature Operation Test	Ta=-20°C, 240hrs
High Temperature Storage Test	Ta=70°C, 240hrs
Low Temperature Storage Test	Ta=-30°C, 240hrs
High Temperature and High Humidity Test	Ta=40°C, 95%RH, 240hrs

- Aging Test: Default two days or per customer requirement

Voltage	Testing Condition	Duration Time
110V	Room Temperature	72 H
220V	Room Temperature	24 H

- Safety Test: Leakage current test, Grounding test
- Illumination Test

Product Safety Certificates

- CE, RoHS, FCC

Product Warranty Statement

- LED light life span is usually about 50,000 hours, Base on following terms, we warrant LED lamps to be free from defects in material and workmanship and to operate from the date of manufacture for the time period of 3 years.

Terms and Conditions:

This warranty will not apply in the event of conditions demonstrating abnormal use or stress, such as operating temperatures in excess of maximum rated temperatures, under/over voltage conditions, excessive switching cycles or operating hours, dirty or broken sockets, or improper lamp installation. Replacement of LED driver board provided by us with any other product will void entire warranty.

The user shall promptly return the product at the user's expense to us after receiving instructions as to if, when and where to ship product. Failure to follow this procedure shall void this warranty.

NO labor allowance is made for any lamp replacement during the warranty period. Any labor option or cost that is not pre-approved by us will not be eligible for reimbursement.

We reserves the right to examine all failed lamps and reserves the right to be the sole judge as to whether any lamps are defective and covered under this warranty.

Product Specification

Product Usage Attention Items

- Please cut off the power before installation and maintenance.
- LED product is much more durable for collision, knocking, but do not do it for longer life
- Plug in and the light is on working, do not intentionally connect the light to other electronic components, such as, ballast, transformer, etc.
- Indoor use, forbid to expose to out-door or get wet.