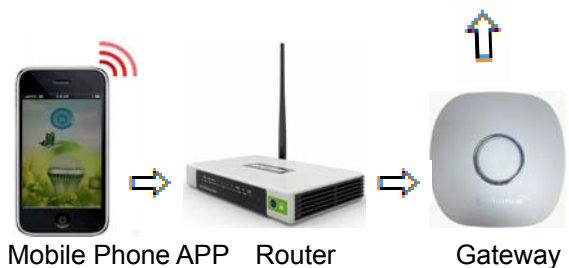


Features

- Light source: SHARP COB LED
- Long LED life: More than 30,000 hour
- Low heat, less than 55°C for 25W
- No UV or IR light radiation
- No mercury or other inorganic
- Highest Color-rendering index: Ra>90
- Homogeneous flood illumination
- Machined aluminum heat fins with excellent thermal efficiency
- Dimmable /Tuneable(both the lumen and the CCT)
- Dimming from 5W-25W and 2800K-6500k,meeting your different environment request
- 25W LED ceiling lamp can output equivalent to 75W metal halide lamp illumination
- 2 year limited warranty (see page 5)
- Works with worldwide lighting systems



Note: Picture for illustration only



Typical Applications

- Energy Saving Programs
- Sustainable Energy
- Landscape Accent/Spot lighting
- Retail Store Lighting
- Display Case Accent
- Commercial Lighting
- Mood Lighting/General lighting

DIMMING RANGE



WHITE COLOR TEMPERATURES



PRODUCT SPECIFICATIONS

LIGHT SOURCE	SHARP COB LED
OPTICS	PC lens and aluminum reflector cup
BULB TYPE	Recess ceiling lamp
BEAM ANGLE	15°/25°±2°
RENDERING INDEX (Ra)	>97(warm white); >94 (natural white); >90 (cool white)
TOTAL LENGTH	Refer to the product dimension below
WEIGHT	580±5g
HEATSINK	Aluminum Radiator
BASE TYPE	External driver (Bi-wire)
DIMMABILITY	Dimmable
COLOR TEMPERATURE	Tuneable

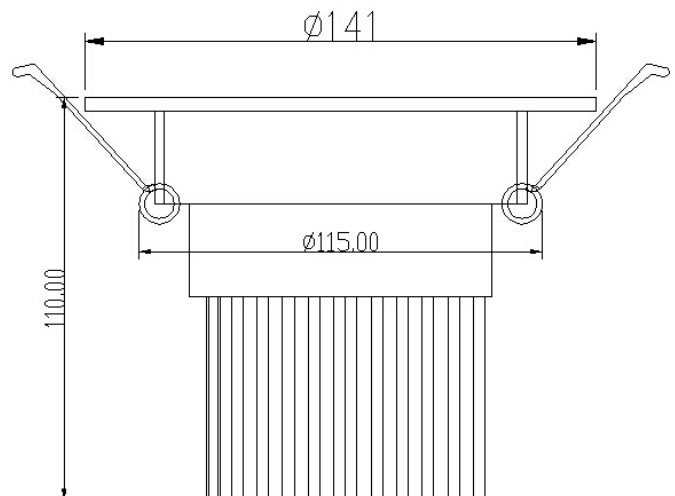
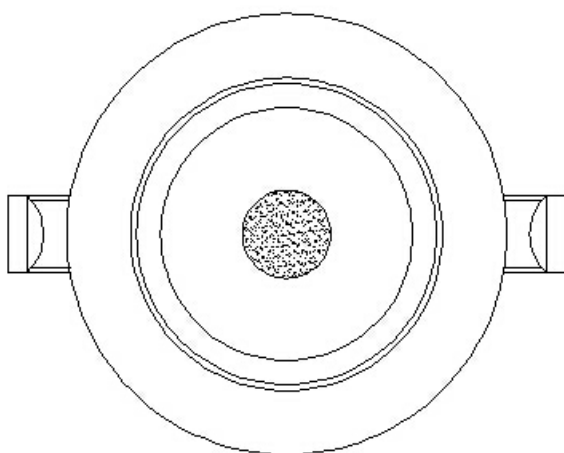
ENVIRONMENTAL SPECIFICATIONS

TEMPERATURE RANGE	Ambient: -20°C to 40°C; Surface of Lamp: 60°C to 70°C
HUMIDITY RANGE	0 to 95% non-condensing humidity

ELECTRICAL SPECIFICATIONS

VOLTAGE REQUIREMENT	100-240VAC 50/60 Hz
POWER CONSUMPTION	25W ±10%
POWER FACTOR	≥ 0.9

PRODUCT DIMENSIONS (mm)



PRODUCT CODE
BTX₁-X₂-X₃-X₄-X₅/S

Power code (X ₁)	25(25W)	/	/
Color code (X ₂)	VW(tuneable)	/	/
Beam Angle (X ₃)	N(15°)	S(25°)	/
Controlling Method (X ₄)	G (G2.4)	A (APP)	D (DALI)
Voltage Code (X ₅)	230 (230V)	/	/

PRODUCT ORDERING CODE

Order Code	Product Code	Color	CCT (K)	Beam Angle ±2°	Base Type	Operating Voltage	Power ±10%	Typical Luminous Flux (lm) ± 10%	Typical Illuminance@ 3m (Lux) ± 10%
BTXXX	BT25-VW-S-A-230/S	Tuneable	2800K~3300K	25°	Bi-wire	100-240 VAC	25W	1400	130
			4200K~4700K					1580	140
			5700K~6500K					1750	160
BTXXX	BT25-VW-N-A-230/S	Tuneable	2800K~3300K	15°	Bi-wire	100-240 VAC	25W	1400	170
			4200K~4700K					1580	190
			5700K~6500K					1750	220

Typical Electrical Characteristics at T_a=25°C

Parameter	Symbol	Min	Typ	Max	Unit
Input Voltage (AC)	V _{AC}	100	230	240	V
LED Forward Current	I _F	—	110	—	mA
Estimated Life ^[*]		—	30,000	—	hours
Optimized Body Temperature (25W LED)	T	52	55	58	°C

Note[*] – Manufacturer projects 25W ceiling spot lamp made with COB LED to maintain an average of 70% lumens maintenance after 30,000 hours. This estimation is made based on data from LED manufacturer

LIMITED WARRANTY

Manufacturer warrants to the Purchaser that each Product manufactured and sold by it will be free from defects in material and workmanship in its intended use (normal wear and tear excepted) for the period of two years from manufactured date. Manufacturer's warranty flows only to Purchaser. If any Product covered by this warranty is returned by Purchaser in accordance with Manufacturer's Products Return Policy, including without limitation its return authorization provisions, within the applicable warranty period set forth above, and upon examination Manufacturer determines to its satisfaction that such Product was defective in material or workmanship at the time of delivery to the Purchaser, Manufacturer will, at its option, repair or replace the Product or the defective part thereof, or reimburse Purchaser for the purchase price. For purposes of clarity, "repair or replace the Product or the defective part thereof" does not include any reinstallation costs or expenses. If Manufacturer chooses to replace the Product and is not able to do so because it has been discontinued or is not available, Manufacturer may replace it with a comparable product. More product information on Manufacturer's Internet web site at <http://www.brilliance-led.com> The foregoing notwithstanding, Manufacturer will not be responsible for damage to any Product resulting from misuse, negligence, acts of God or accident or resulting from repairs or alterations made by any person or firm not duly authorized by Manufacturer in writing. Purchaser shall convey with each Product distributed to end users the MANUFACTURER'S LIMITED WARRANTY included by Manufacturer with such Product, and, if Manufacturer determines that the appropriate remedy for a defective product is refund of Purchaser's purchase price, Purchaser shall refund to the end user (or arrange for the refund to the end user of) the full purchase price paid by the end user for such defective Product.

THIRD PARTY WARRANTIES

With respect to products sold to the Purchaser by Manufacturer but not manufactured by Manufacturer, MANUFACTURER MAKES NO WARRANTY OF ANY KIND, EXPRESS OR IMPLIED, INCLUDING, WITHOUT LIMITATION, ANY WARRANTY OF MERCHANTABILITY OR FITNESS FOR A PARTICULAR PURPOSE, but will make available to the Purchaser, to the extent permitted by law and relevant contracts, the warranties of the manufacturer of the relevant product upon the Purchaser's timely written request.

NON-IMPLIED WARRANTIES

THE WARRANTIES GIVEN IN THESE TERMS ARE THE ONLY WARRANTIES GIVEN BY THE MANUFACTURER WITH RESPECT TO THE PRODUCTS AND ARE GIVEN IN LIEU OF ALL OTHER WARRANTIES, EXPRESS OR IMPLIED, INCLUDING, BUT NOT LIMITED TO, WARRANTIES OF MERCHANTABILITY, OF NON INFRINGEMENT AND OF FITNESS FOR A PARTICULAR PURPOSE. PURCHASER'S EXCLUSIVE REMEDIES, AND MANUFACTURER'S SOLE LIABILITY, FOR ANY NONCONFORMITY OR DEFECT IN ANY PRODUCT SHALL BE THOSE EXPRESSED HEREIN.

LIMITATION OF LIABILITY

An essential purpose of the limited exclusive liabilities and remedies in this Agreement is allocation of risks between Manufacturer and Purchaser, which allocation of risks is reflected in the purchase price for the Products. UNDER NO CIRCUMSTANCES SHALL MANUFACTURER'S LIABILITY ARISING OUT OF OR IN CONNECTION WITH THIS AGREEMENT OR MANUFACTURER'S PERFORMANCE OR ASSERTED FAILURE TO PERFORM HEREUNDER, IN CONTRACT, TORT (INCLUDING NEGLIGENCE) OR OTHERWISE, EXCEED THE PURCHASE PRICE OF THE PRODUCT TO WHICH SUCH LIABILITY RELATES. IN NO EVENT SHALL MANUFACTURER BE LIABLE FOR SPECIAL, INCIDENTAL OR CONSEQUENTIAL DAMAGES, INCLUDING, WITHOUT LIMITATION, DAMAGES RESULTING FROM LOSS OF USE, PROFITS, BUSINESS OR GOODWILL, WHETHER OR NOT MANUFACTURER HAS BEEN ADVISED OF THE POSSIBILITY THEREOF.

Specifications are subject to change without notice.
Copyright Brilliance Technologies Co., Ltd. All rights reserved



WARNING:

Patents in China, Europe, USA and Asian Countries have been applied for since October 2014 and we shall not hesitate to bring any manufacturing or distributing parties infringing our Intellectual Property Rights to Court and claim damages.