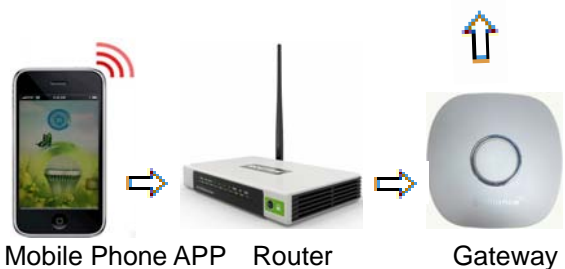


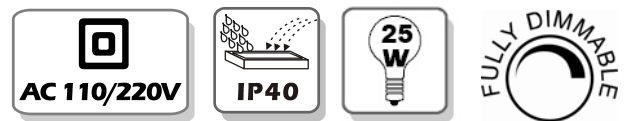
## Features

- Light source: SHARP COB LED
- Long LED life: More than 30,000 hours
- Aluminum track light type (single head)
- Low heat, less than 55°C for 25W
- No UV or IR light radiation
- No mercury or other inorganic
- Highest Color-rendering index: Ra>90
- Homogeneous flood illumination
- Machined aluminum heat fins with excellent thermal efficiencies
- Dimming from 5W-25W and 2800K-6500k, meeting your different environment request
- 25W LED track light can achieve directional light output equal to 75W halogen track light
- 2 year limited warranty (see page 4)
- Works with worldwide lighting systems



Above parts are optional.

Note: Picture for illustration only



## Typical Applications

- Energy Saving Programs
- Sustainable Energy
- Spot lighting
- Retail Shop Lighting
- Commercial Lighting
- General lighting



**SHARP**  
LED inside

DIMMING RANGE



WHITE COLOR TEMPERATURES



## PRODUCT SPECIFICATIONS

<b>LIGHT SOURCE</b>	SHARP COB LED
<b>OPTICS</b>	Aluminum coated reflector
<b>LAMP TYPE</b>	Track light series
<b>BEAM ANGLE</b>	30°±5°
<b>RENDERING INDEX (Ra)</b>	>97(warm white); >94 (natural white); >90 (cool white)
<b>TOTAL LENGTH</b>	See product dimension below
<b>WEIGHT</b>	1150 ±5g
<b>HEATSINK</b>	Machined pure aluminum with anodize finish
<b>BASE TYPE</b>	2 /4 pin track light connector
<b>DIMMABILITY</b>	Dimmable
<b>COLOR TEMPERATURE</b>	Tuneable

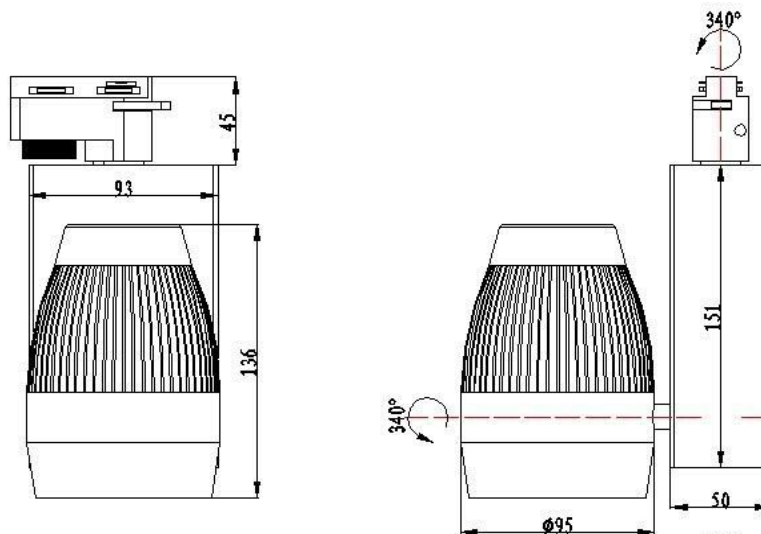
## ENVIRONMENTAL SPECIFICATIONS

<b>TEMPERATURE RANGE</b>	Ambient: -20°C to 40°C; Surface of Lamp: 60°C to 70°C
<b>HUMIDITY RANGE</b>	0 to 95% non-condensing humidity

## ELECTRICAL SPECIFICATIONS

<b>VOLTAGE REQUIREMENT</b>	100V ~ 240V AC 50/60 Hz
<b>POWER CONSUMPTION</b>	25W ±10%
<b>POWER FACTOR</b>	≥ 0.9

## PRODUCT DIMENSIONS (mm)



## PRODUCT CODE

**TL1-87X<sub>1</sub>X<sub>2</sub>-25- X<sub>3</sub>- X<sub>4</sub>/S**

Color code (X <sub>1</sub> )	VW(Tuneable)		
Angle code (X <sub>2</sub> )	N(30°)	/	/
Controlling Method (X <sub>3</sub> )	G(G2.4)	A(APP)	D(DALI)
Pin code (X <sub>4</sub> )	2P	4P	/

## PRODUCT ORDERING CODE

Order Code	Product Code	Color	CCT (K)	Beam Angle	Connector Type	Operating Voltage	Power (W) ±10%	Typical Luminous Flux (lm) ±10%	Typical Illuminance@ 3m (Lux) ±10%
BTXXXX	TL1-87VWN-25-A-2P/S	Tuneable	2900K~3300K	30°±5°	2 Pin or 4 Pin connector	100~240 VAC	25W	1400	120
			4200K~4700K					1580	130
			5700K~6500K					1750	150

## 25W Track light Model at Ta=25°

Parameter	Symbol	Min	Typ	Max	Unit
Input Voltage (AC)	V <sub>AC</sub>	100	230	240	V
LED Forward Current	I <sub>F</sub>	—	125	—	mA
Estimated Life <sup>[1]</sup>		—	30,000	—	hours
Optimized Body Temperature	T	—	55	60	°C

Note[\*] – Manufacturer projects Track Light made with Sharp LED to maintain an average of 70% lumens maintenance after 30,000 hours. This estimation is made based on data from LED manufacturer

## LIMITED WARRANTY

Manufacturer warrants to the Purchaser that each Product manufactured and sold by it will be free from defects in material and workmanship in its intended use (normal wear and tear excepted) for the period of two years from manufactured date. Manufacturer's warranty flows only to Purchaser. If any Product covered by this warranty is returned by Purchaser in accordance with Manufacturer's Products Return Policy, including without limitation its return authorization provisions, within the applicable warranty period set forth above, and upon examination Manufacturer determines to its satisfaction that such Product was defective in material or workmanship at the time of delivery to the Purchaser, Manufacturer will, at its option, repair or replace the Product or the defective part thereof, or reimburse Purchaser for the purchase price. For purposes of clarity, "repair or replace the Product or the defective part thereof" does not include any reinstallation costs or expenses. If Manufacturer chooses to replace the Product and is not able to do so because it has been discontinued or is not available, Manufacturer may replace it with a comparable product. The Products Return Policy is posted on Manufacturer's Internet web site at <http://www.brilliance-led.com> The foregoing notwithstanding, Manufacturer will not be responsible for damage to any Product resulting from misuse, negligence, acts of God or accident or resulting from repairs or alterations made by any person or firm not duly authorized by Manufacturer in writing. Purchaser shall convey with each Product distributed to end users the MANUFACTURER'S LIMITED WARRANTY included by Manufacturer with such Product, and, if Manufacturer determines that the appropriate remedy for a defective product is refund of Purchaser's purchase price, Purchaser shall refund to the end user (or arrange for the refund to the end user of) the full purchase price paid by the end user for such defective Product.

## THIRD PARTY WARRANTIES

With respect to products sold to the Purchaser by Manufacturer but not manufactured by Manufacturer, MANUFACTURER MAKES NO WARRANTY OF ANY KIND, EXPRESS OR IMPLIED, INCLUDING, WITHOUT LIMITATION, ANY WARRANTY OF MERCHANTABILITY OR FITNESS FOR A PARTICULAR PURPOSE, but will make available to the Purchaser, to the extent permitted by law and relevant contracts, the warranties of the manufacturer of the relevant product upon the Purchaser's timely written request.

## NON-IMPLIED WARRANTIES

THE WARRANTIES GIVEN IN THESE TERMS ARE THE ONLY WARRANTIES GIVEN BY THE MANUFACTURER WITH RESPECT TO THE PRODUCTS AND ARE GIVEN IN LIEU OF ALL OTHER WARRANTIES, EXPRESS OR IMPLIED, INCLUDING, BUT NOT LIMITED TO, WARRANTIES OF MERCHANTABILITY, OF NON INFRINGEMENT AND OF FITNESS FOR A PARTICULAR PURPOSE. PURCHASER'S EXCLUSIVE REMEDIES, AND MANUFACTURER'S SOLE LIABILITY, FOR ANY NONCONFORMITY OR DEFECT IN ANY PRODUCT SHALL BE THOSE EXPRESSED HEREIN.

## LIMITATION OF LIABILITY

An essential purpose of the limited exclusive liabilities and remedies in this Agreement is allocation of risks between Manufacturer and Purchaser, which allocation of risks is reflected in the purchase price for the Products. UNDER NO CIRCUMSTANCES SHALL MANUFACTURER'S LIABILITY ARISING OUT OF OR IN CONNECTION WITH THIS AGREEMENT OR MANUFACTURER'S PERFORMANCE OR ASSERTED FAILURE TO PERFORM HEREUNDER, IN CONTRACT, TORT (INCLUDING NEGLIGENCE) OR OTHERWISE, EXCEED THE PURCHASE PRICE OF THE PRODUCT TO WHICH SUCH LIABILITY RELATES. IN NO EVENT SHALL MANUFACTURER BE LIABLE FOR SPECIAL, INCIDENTAL OR CONSEQUENTIAL DAMAGES, INCLUDING, WITHOUT LIMITATION, DAMAGES RESULTING FROM LOSS OF USE, PROFITS, BUSINESS OR GOODWILL, WHETHER OR NOT MANUFACTURER HAS BEEN ADVISED OF THE POSSIBILITY THEREOF.

Patents Pending Product  
25W Track Light Rev. 1.0a  
Specifications are subject to change without notice.  
Copyright Brilliance Technologies Co., Ltd. All rights reserved



## WARNING:

Patents in China, Europe, USA and Asian Countries have been applied for since October 2014 and we shall not hesitate to bring any manufacturing or distributing parties infringing our Intellectual Property Rights to Court and claim damages.