

## Features

- Light source: **SHARP** COB LED
- Long LED life: More than 40,000 hours.
- Low heat, less than 55°C for 25W
- No UV or IR light radiation
- No mercury or other inorganic chemicals
- **Highest Color-rendering index: Ra>97**
- Homogeneous flood illumination
- Machined aluminum heat fins with excellent thermal efficiencies
- Dimmable / Tuneable (both the lumen and CCT)
- Dimming from 5W-25W and 2600K-5700k, meeting your different environment request
- 25W LED ceiling lamp can equivalent to 100W metal halide lamp
- 3 year limited warranty



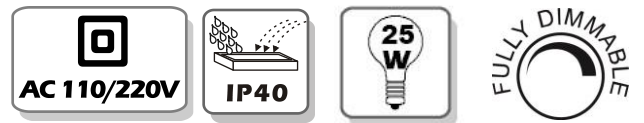
Remote control



Wall control panel

## Typical Applications

- Retail Store Lighting
- Commercial Lighting
- Hospitality/Restaurant Lighting
- Mood Lighting/General lighting
- Display Case Accent
- Ceilings
- Spot lighting
- Sustainable Energy
- Energy Saving Programs



### DIMMING RANGE



### WHITE COLOR TEMPERATURES



## PRODUCT SPECIFICATIONS

LIGHT SOURCE	<b>SHARP</b> COB LED
OPTICS	PC lens and Aluminum Reflector Cup
BULB TYPE	Recess ceiling lamp
BEAM ANGLE	15°/25°±2°
RENDERING INDEX (Ra)	>97(warm white)
WEIGHT	580±5g
LED DRIVER	External connected RF colour temperature adjusting and dimmable LED driver

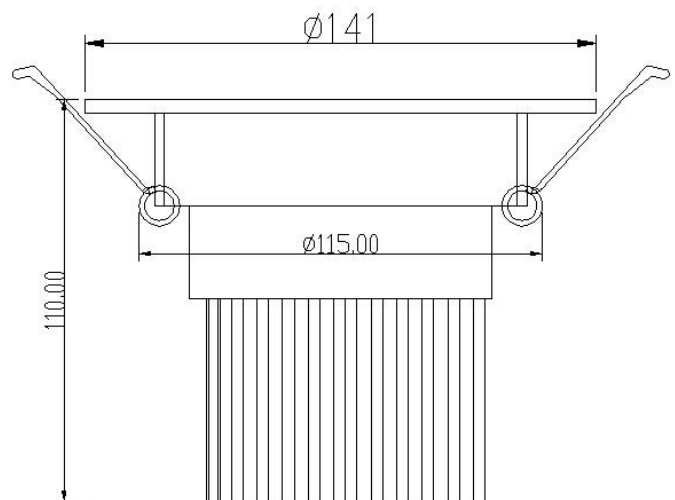
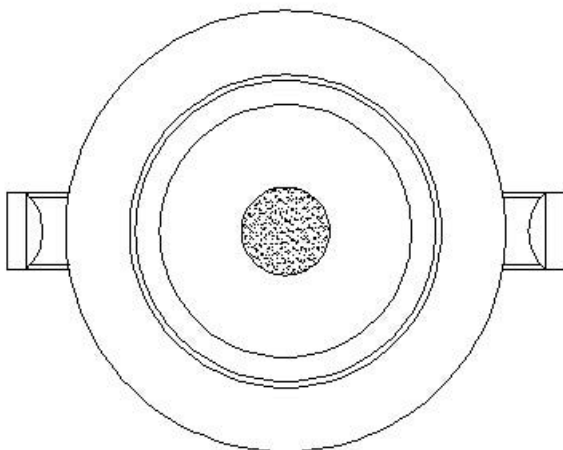
## ENVIRONMENTAL SPECIFICATIONS

TEMPERATURE RANGE	Ambient: -20°C to 40°C; Surface of Lamp: 60°C to 70°C
HUMIDITY RANGE	0 to 95% non-condensing humidity

## ELECTRICAL SPECIFICATIONS

VOLTAGE REQUIREMENT	100-240VAC 50/60 Hz
POWER CONSUMPTION	25W ±10%
POWER FACTOR	≥ 0.9

## PRODUCT DIMENSIONS (mm)



**PRODUCT ORDERING CODE**

Order Code	Product Code	Color	CCT /Kelvin	Beam Angle ±2°	Base Type	Operating Voltage	Power ±10%	Typical Luminous Flux (lm)± 10%	Typical Illuminance@ 3m (Lux)± 10%
CCT 25°	BT25-RVWS-230	Tuneable	2600K-5700K	25°	Bi-wire	100-240 VAC	25W	1400	130
								to	140
								1750	160
CCT15°	BT25-RVWN-230	Tuneable	2600K-5700K	15°	Bi-wire	100-240 VAC	25W	1400	170
								to	190
								1750	220

**Typical Electrical Characteristics at T<sub>a</sub>=25°C**

Parameter	Symbol	Min	Typ	Max	Unit
Input Voltage (AC)	V <sub>AC</sub>	100	230	240	V
LED Forward Current	I <sub>F</sub>	—	110	—	mA
Estimated Life <sup>[1]</sup>		—	40,000	—	hours
Optimized Body Temperature (25W LED)	T	52	55	58	°C

Note[\*] – Manufacturer projects 25W ceiling spot lamp made with **SHARP** COB LED to maintain an average of 70% lumens maintenance after 40,000 hours. This estimation is made based on data from Sharp Micro Electronics



## 86 Control Board:

Name: Control Board(place-fixed/half-place-fixed)

Power: Rechargeable Li-ion Battery(Endurance is about 3 years); Frequency: RF-2.4G; Effective Distance: 20M ( Without Obstacle )

Number of controllable lamps: 1 controller can control 6 groups of lamps, and no limit to the number of lamps in one group.

ID of Lamp: The following figures is usable: 1, 2, 11, 12, 21, 22

Multifunctional: On/Off, step/continue dimmable and color temperature adjusting.

### Operation Instruction:

Setup ID of Lamp:

- ① Switch on the lamp;
- ② Press figure key 1 or 2(the id you want give to lamp), than press the direction key according to the following sequence: “ ☀️ 🔦 🔍 🔍 ” (up/down/left/right).
- ③ The lamp will turn off automatically.
- ④ Switch off the lamp within 10seconds, setup is finished.

Note: If do not switch off the lamp in time, the lamp will turn on automatically, meaning the setup is cancel.

### How to control lamp:

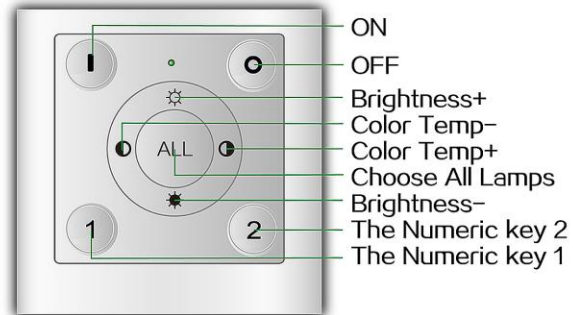
Names if keys on control board: see picture.

Control one lamp(group): Press the figure(ID) of lamp, than press the function key you need.

Control all lamp: Press “ ALL ”, than press the function key you need.

Night light: Press direction key “ 🔦 ” when lamp in turn off (standby), lamp will work at lowest power, about 3% of rated power.

Note: Every lamp could be matched to one hand-held remoter controller and one 86 Control board.



## Light sensor :

Name: Light sensor (or Light-sound sensor, Work modes ② )

Power: Rechargeable Li-ion Battery(Endurance is about 3 years); Frequency: RF-2.4G; Effective Distance: 20M ( Without Obstacle )

Quantity of lamp is unlimited: only one group.

Function: Test the brightness or sound of place where it is mounted and send the information to the lamp which is matched.

Work modes: Should choose one mode when order.

- ① Light sensor: The lamp could keep the brightness stable in auto mode, working together with the sensor.
- ② Light-sound sensor: When brightness is low, the lamp would turn on or off when sound is detected or not.

### Operation Instruction:

Setup the Match:

- ① Switch ON the lamp, press the key at the bottom of sensor two times.
- ② The lamp will turn off automatically, switch off the power of the lamp, setup is finished.

Enter auto mode:

- ① When the lamp is on, press the on key on the controller continuously till the lamp is turn off automatically.
- ② The lamp will flash one time, auto mode is effective. (In auto mode, all dim key become invalid.)

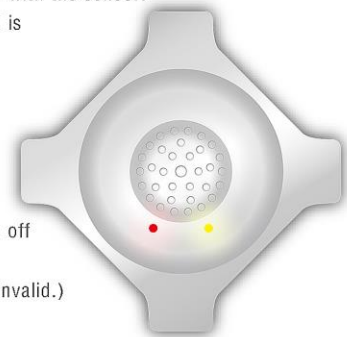
Quit auto mode:

Turn off by controller or switch off by ordinary switch, quit auto mode.

Indicator:

- ① In ordinary status, indicators is off.
- ② Press the key at the bottom, one indicator will on. Green means sensor is working, and red sensor is sleeping. Press the key again will change the status of sensor. After 10s, indicator will off and keep the status.

Note: One lamp can be matched to only one sensor. Sensor should be mounted on the place with middle brightness.



**Line Lite International BV / CDE Technology BV Products Warranty**

Line Lite International BV / CDE Technology BV ensures 3 years warranty for this product to against manufacturing defects in material or workmanship.

“Warranty Period” will begin at the date of original Product purchase from either Line Lite International BV / CDE Technology BV, or an authorized Line Lite International BV / CDE Technology BV Distributor. Line Lite International BV / CDE Technology BV will repair or replace product covered under this warranty.

Only Line Lite International BV / CDE Technology BV manufactured products may be returned through Line Lite International BV / CDE Technology BV. Line Lite International BV / CDE Technology BV warranty is further conditioned and will only apply to Line Lite International BV / CDE Technology BV products that are properly installed. This includes wiring and connection to proper approved components and product working environments. This Warranty is void and does not apply to products that fail as a result of neglect, mistake, misuse, alteration, or that is improperly installed and implemented. Installation and usage of Line Lite International BV / CDE Technology BV products should only be completed in association and complete knowledge of all necessary and related codes, standards and instructions of installation. It is the responsibility of the purchaser to obtain all necessary approvals and to understand the product’s intended use and all relevant instructions, recommendations, and guidelines for the proper installation and use.

Warranty Compensation will be based on evidences that clients provided such us defected products pictures. On the basis of negotiation, if it is urgent for use, Line Lite International BV / CDE Technology BV will provide new replacement firstly, but then defected products must be sent back to us for allowing our inspection and research to find the real reason of product defect. What is not covered under this Limited Warranty is defects of any kind caused or created by improper installation of any kind; damaged caused during shipping to purchaser or beyond; “acts of Nature.”

Line Lite International BV / CDE Technology BV will not cover additional labor costs or Warranty such labor associated with replacement product. This Warranty document represents the only express or implied Warranty.