



## LED pendules pricing



	Part nr.	Color	Input Voltage	Power	LED QTY	Lumen	Price €/PCS
	<b>LLC-PD35W-**-230</b>	2800K +/- 200K, 4200K +/- 200K, 6000K +/- 200K	AC85-265V	35W	350	2500 -3000	€ 270,00
	<b>LLC-PD45W-**-230</b>	2800K +/- 200K, 4200K +/- 200K, 6000K +/- 200K	AC85-265V	45W	450	3200-3500	€ 290,00
	<b>LLC-PD60W-**-230</b>	2800K +/- 200K, 4200K +/- 200K, 6000K +/- 200K	AC85-265V	60W	600	4200-4500	€ 310,00
built in accessories		one set included in every packing					
suspended accessories		one set included in every packing					

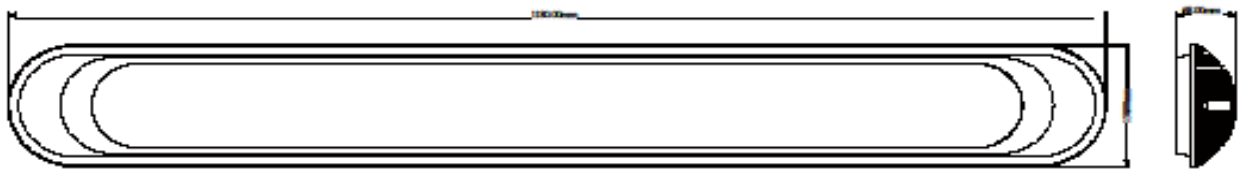
\*\* = Please add two digits of CCT for colour ( e.a. 28 for 2800K)



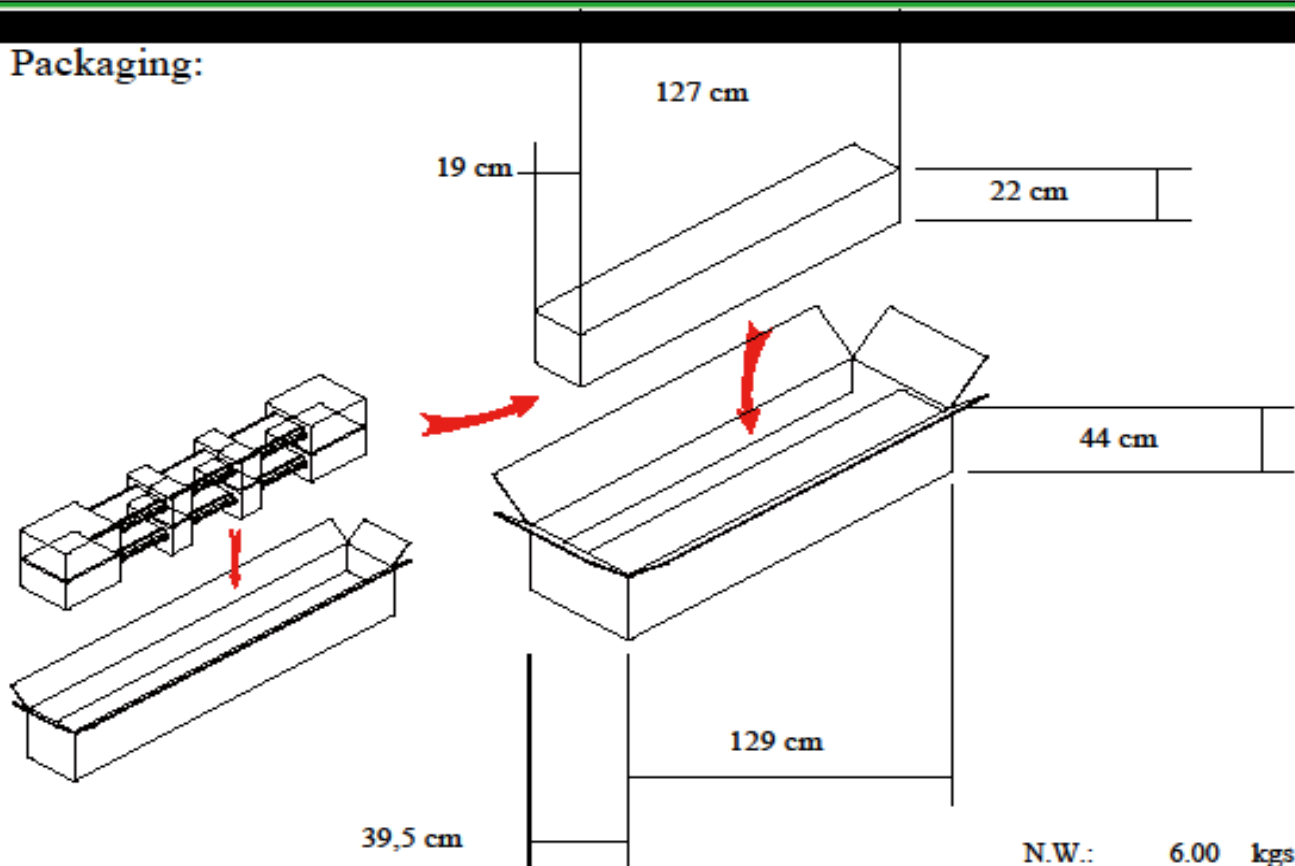
# LED Pendant Light

CDE Technology BV

## Dimensions:



## Packaging:



N.W.: 6.00 kgs  
G.W.: 24.00 kgs  
Q'TY.: 4 pcs