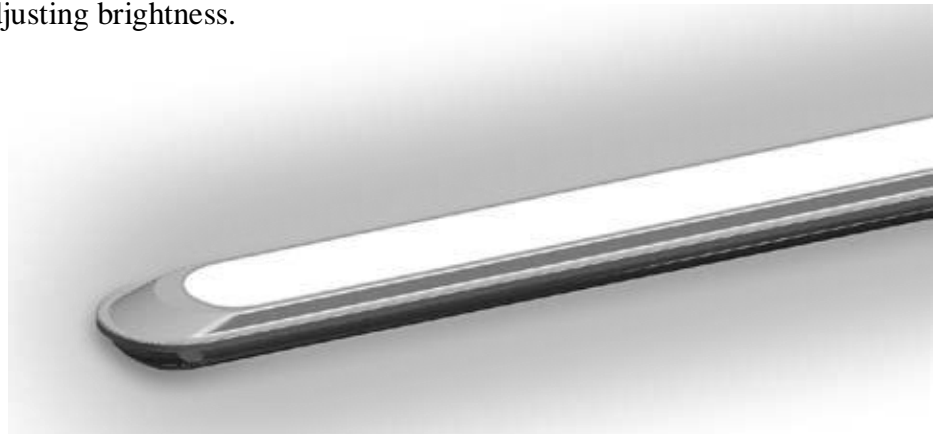


## LED Pendant Light



## Features:

1. LED pendant light with IP65 protection level.
2. Extrusion aluminum heat sink, perfect and reliable thermal system.
3. Patent and functional design, with imaginative appearance, visual texture and impressive uniformity.
4. Support for pendant, ceiling, wall mounting solutions. More flexible, and easy for installation.
5. Suitable and other applications:
  - Room and Office Lighting, Supermarkets
  - Parkinglots, Warehouses, Gas Stations
6. Can support Triac dimmable, 0-10V to a adjusting brightness. Adjust 0-100%

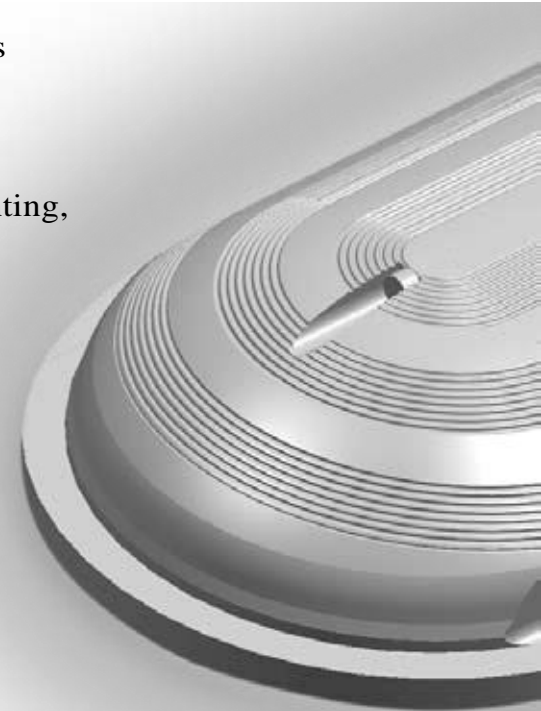


## Technical Parameters (35W):

Power:	35W
Dimensions:	1180 x 150 x 68 mm
Input voltage:	AC85-265V
Output voltage:	DC36-42V
Luminous Flux:	2500-3000lm
Color Rendering:	80Ra
Lifespan LED's:	40.000hrs.
Fixture Material:	Aluminum 6063
CCT:	2800K +/- 200K, 4200K +/- 200K, 6000K +/- 200K.
LED:	SMD 3014 350pcs
Protection Level:	IP65
Storage Temperature:	-40°C~+80°C
Working Temperature:	-20°C~+45°C
Installation:	Pendant, Ceiling Mounting, Wall Mounting
Net weight:	3.5KG

## Technical Parameters (45W):

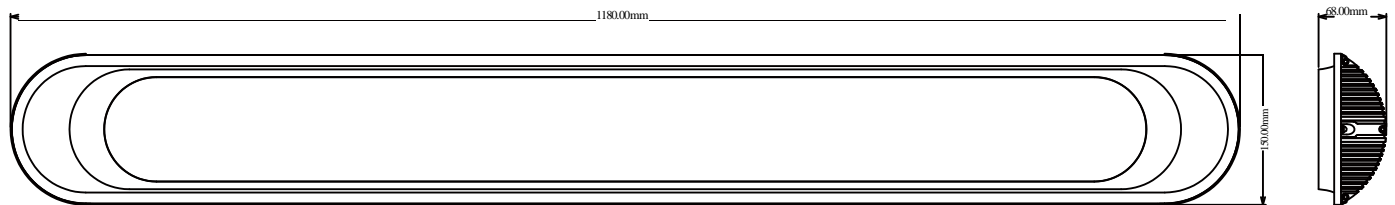
Power:	45W
Dimensions:	1180 x 150 x 68 mm
Input voltage:	AC85-265V
Output voltage:	DC36-42V
Luminous Flux:	3200-3500lm
Color Rendering:	80Ra
Lifespan LED's:	40.000hrs.
Fixture Material:	Aluminum 6063
CCT:	2800K +/- 200K, 4200K +/- 200K, 6000K +/- 200K.
LED:	SMD 3014 450pcs
Protection Level:	IP65
Storage Temperature:	-40°C~+80°C
Working Temperature:	-20°C~+45°C
Installation:	Pendant, Ceiling Mounting, Wall Mounting
Net weight:	3.5KG



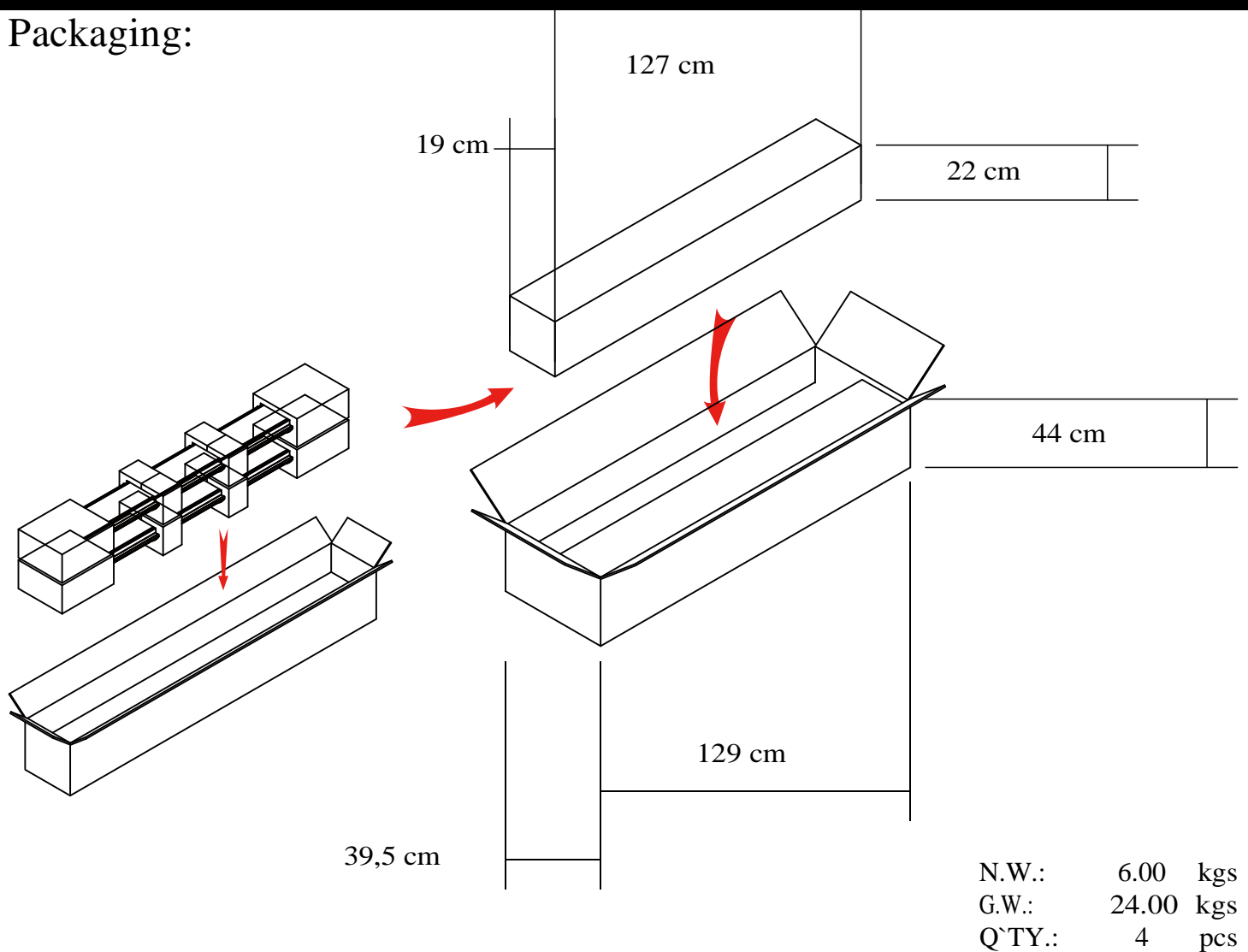
## Technical Parameters (60W):

Power:	60W
Dimensions:	1180 x 150 x 68 mm
Input voltage:	AC85-265V
Output voltage:	DC36-42V
Luminous Flux:	4200-4500lm
Color Rendering:	80Ra
Lifespan LED's:	40.000hrs.
Fixture Material:	Aluminum 6063
CCT:	2800K +/- 200K, 4200K +/- 200K, 6000K +/- 200K.
LED:	SMD 3014 600pcs
Protection Level:	IP65
Storage Temperature:	-40°C~+80°C
Working Temperature:	-20°C~+45°C
Installation:	Pendant, Ceiling Mounting, Wall Mounting
Net weight:	3.5KG

## Dimensions:



## Packaging:



Some applications:

