

## Features:

- ★ Elegant series down light, exquisite appearance and classy, adopt the die casting aluminum coating body, COB light source, multi-angles rotation construction, lighting surface can be 360 degree arbitrarily chosen, good heat dissipation design minimized lumens depreciation, external LED power supply.
- ★ Extremely short response time, light up instantaneously, no flickering or glare, no stray light, can be turned on and off frequently and be adapted to various lighting.
- ★ No fluorescent flicking, no contamination of Hg or Li.
- ★ LED Size: COB LED
- ★ Working Temperature: -20~50°C.
- ★ Life span is longer than 50,000 hours,
- ★ IP50, non-waterproof.

## Photos:

### Elegant A



### Elegant B



## Product Parameters

No.	Item	Elegant A    Elegant B
01	LED Type	COB LED
02	CRI	> 80
03	Color Temperature	2700~3500k(WW) 4000~6000K(W) 6500~7500k(CW)
05	Beam Angle	15° / 40°
06	IP Rating	IP50
07	Certificates	CE . RoHS
08	Operation Temperature	-20°C to + 50°C
09	Storage Temperature	-30°C to + 80°C
10	Life Time	>50,000 Hours

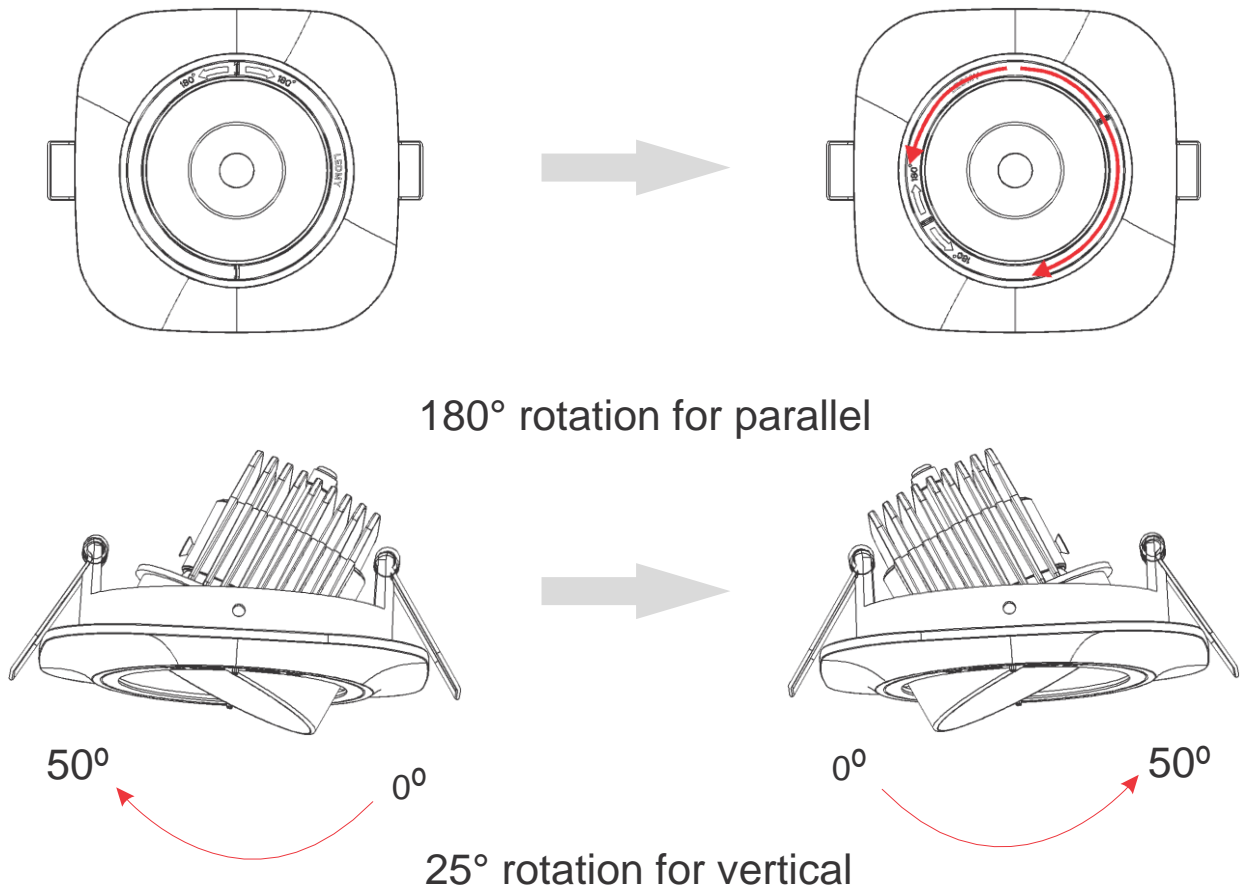
## The Main Parameter of Elegant A series

Part Number	Dimension ±2mm	Punch <sup>+3mm</sup> <sub>-0</sub>	Power±10% (included power supply)	Lumen ± 10%
DL-EAx1	93*93*57mm	Φ 80mm	5W	>520lm
DL-EAx2	238*118*57mm	192*90mm	11W	>1105lm
DL-EAx3	357*118*57mm	308*90mm	16W	>1550lm
DL-EAx4	240*240*57mm	205*195mm	21W	>2050lm

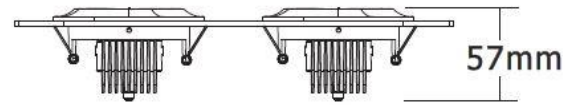
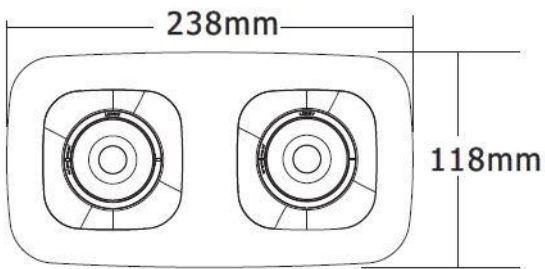
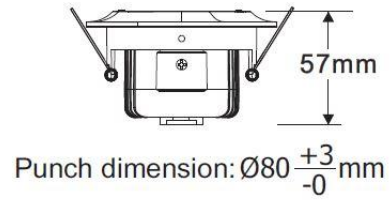
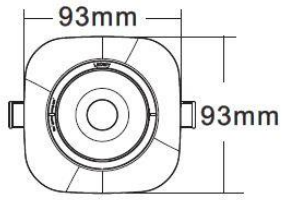
# The Main Parameter of Elegant B series

Part Number	Dimension $\pm 2\text{mm}$	Punch $^{+3\text{mm}}_{-0}$	Power $\pm 10\%$ (included power supply)	Lumen $\pm 10\%$
DL-EBx1	$\Phi 92*57\text{mm}$	$\Phi 80\text{mm}$	5W	>520lm
DL-EBx2	244*122*57mm	192*90mm	11W	>1105lm
DL-EBx3	360*122*57mm	308*90mm	16W	>1550lm
DL-EBx4	240*240*57mm	205*195mm	21W	>2050lm

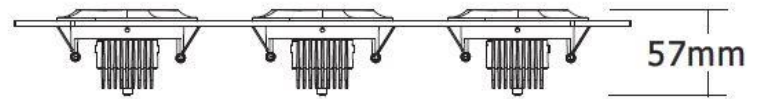
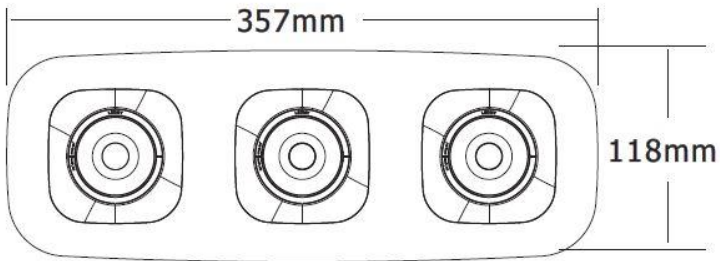
## Structure characteristics



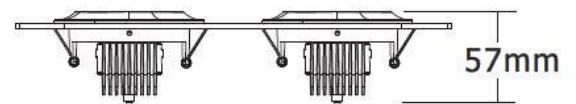
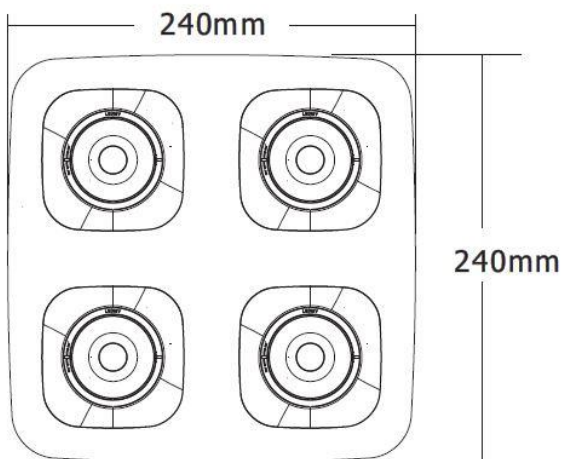
# The dimension of Elegant A series:



Punch dimension:  $192 \times 90 \begin{smallmatrix} +3 \\ -0 \end{smallmatrix} \text{mm}$



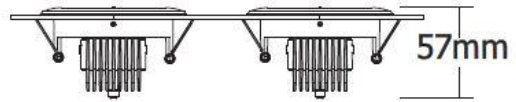
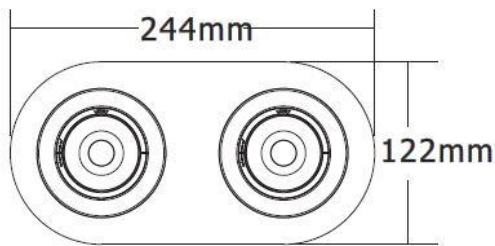
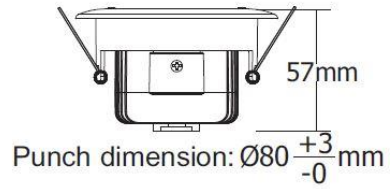
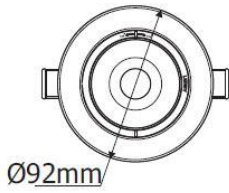
Punch dimension:  $308 \times 90 \begin{smallmatrix} +3 \\ -0 \end{smallmatrix} \text{mm}$



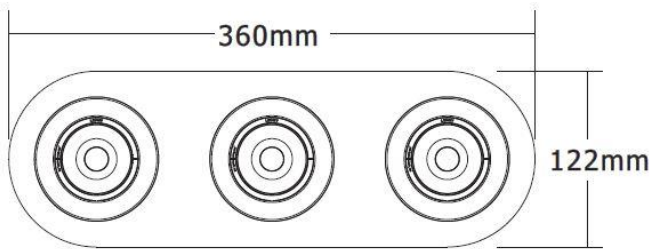
Punch dimension:  $205 \times 195 \begin{smallmatrix} +3 \\ -0 \end{smallmatrix} \text{mm}$

Tolerance range:  $\pm 2\text{mm}$

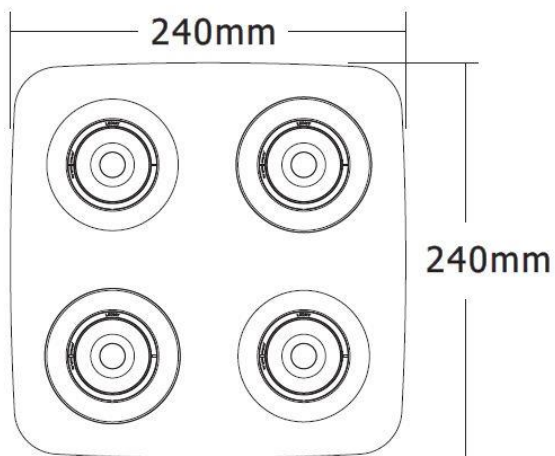
# The dimension of Elegant B series:



Punch dimension:  $192 \times 90 \begin{smallmatrix} +3 \\ -0 \end{smallmatrix}$  mm

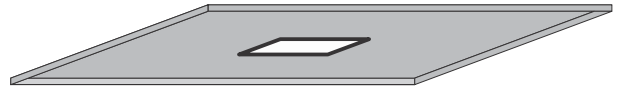
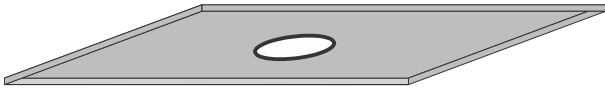


Punch dimension:  $308 \times 90 \begin{smallmatrix} +3 \\ -0 \end{smallmatrix}$  mm

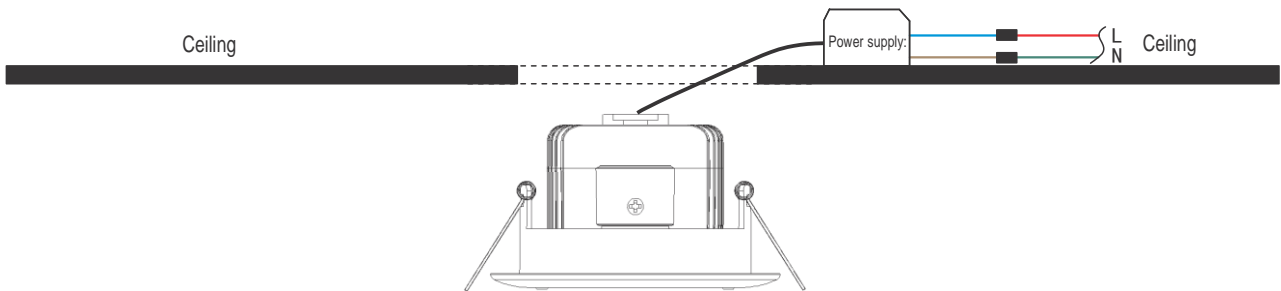


Punch dimension:  $205 \times 195 \begin{smallmatrix} +3 \\ -0 \end{smallmatrix}$  mm

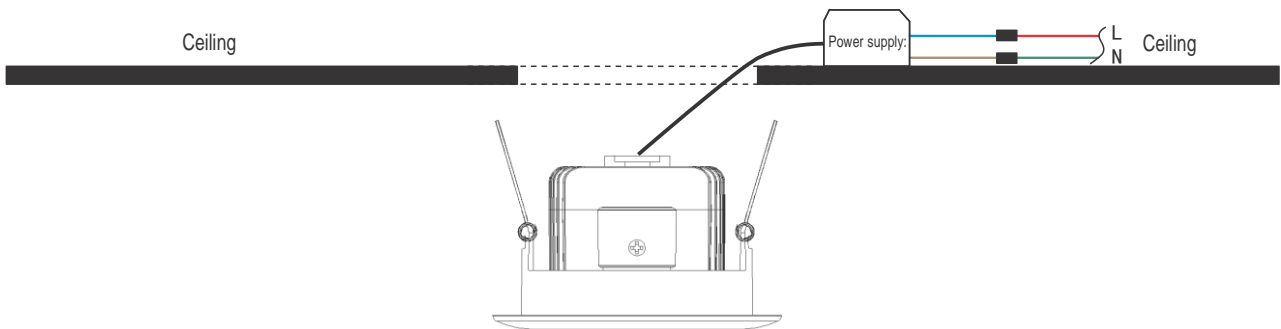
Tolerance range:  $\pm 2$ mm



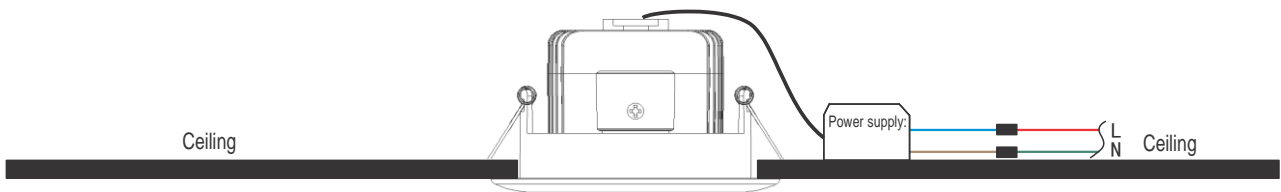
1. As above photo, punch at the place where needs to install the down light, punch dimension reference to previous page's main parameter form.



2. As above photo, the input line of power supply AC terminal connect with mains supply line (attention: this process should be operated only after cut off the power supply) check the lamp light up or not after connected



3. Confirm light up, Cut off power supply, as above photo, push springs of down light as vertical and embed lamp into ceiling, finish the installation.



Installation finished.