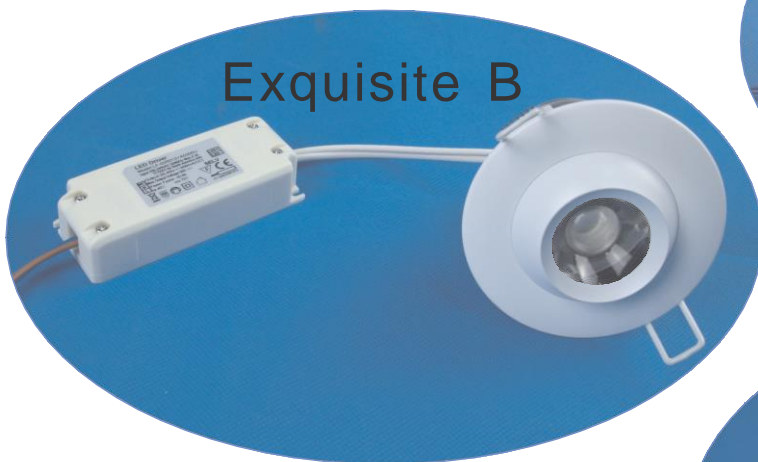


## Features:

- ★ Exquisite series spot light, adopt the die casting aluminum coating body, high power LED, tensile structure can control beam angle 10°~60° of change, very evenly and uniform, the shell of the spot light can rotate 360 degrees, vertical 40 degrees rotation, adjust exposure surface, good heat dissipation design minimized lumens depreciation, external LED power supply.
- ★ Extremely short response time, light up instantaneously, no flickering or glare, no stray light, can be turned on and off frequently and be adapted to various lighting.
- ★ No fluorescent flicking, no contamination of Hg or Li.
- ★ LED Size: High Power LED
- ★ Working Temperature: -20~50°C.
- ★ Life span is longer than 50,000 hours,
- ★ IP50, non-waterproof.

## Photos:



## Product Parameters

No.	Item	Exquisite A1	Exquisite B1	Exquisite C1
01	LED Type	High Power LED		
02	CRI	70~80		
03	Color Temperature	2700~3500k(WW) 4000~6000K(W) 6500~7500k(CW)		
05	Beam Angle	10°~60°		
06	IP Rating	IP50		
07	Certificates	CE . RoHS		
08	Operation Temperature	-20°C to + 50°C		
09	Storage Temperature	-30°C to + 80°C		
10	Life Time	>50,000 Hours		

## The Main Parameter of Exquisite A1 series

Part Number	Dimension ±2mm	Punch <sup>+3mm</sup> <sub>-0</sub>	Power±10% (included power supply)	Lumen ± 10%
DL-DA1x1	Φ 75*43mm	Φ 62mm	3W	>210lm
DL-DA1x2	200*100*43mm	158*70mm	6W	>400lm
DL-DA1x3	300*100*43mm	258*70mm	8.5W	>600lm
DL-DA1x4	200*200*43mm	170*158mm	11W	>720lm

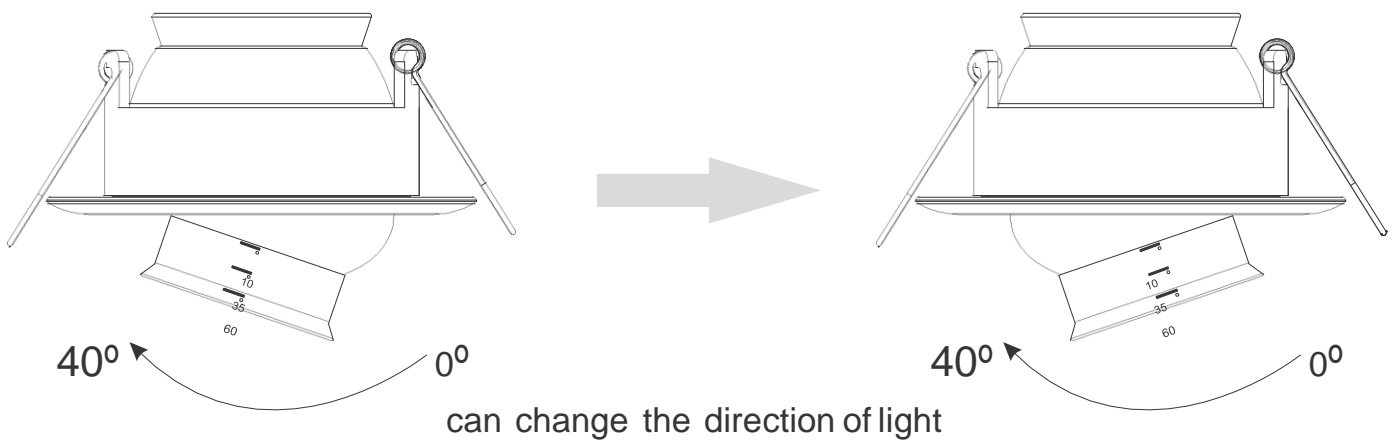
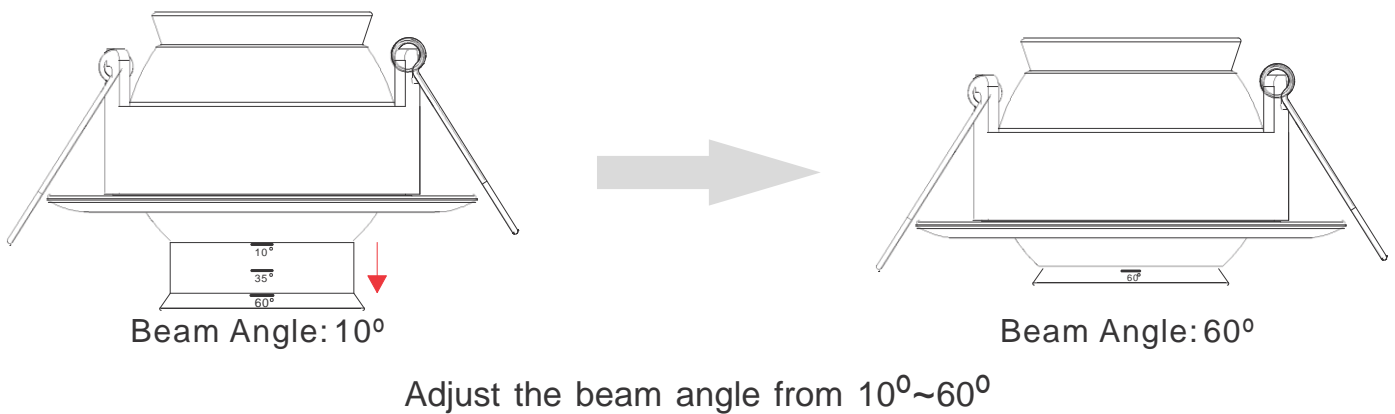
## The Main Parameter of Exquisite B1 series

Part Number	Dimension ±2mm	Punch <sup>+3mm</sup> <sub>-0</sub>	Power±10% (included power supply)	Lumen ± 10%
DL-DB1x1	Φ 99*85.5mm	Φ 80mm	9W	>850lm
DL-DB1x2	244*122*85.5mm	192*90mm	18W	>1600lm
DL-DB1x3	360*122*85.5mm	308*90mm	28W	>2520lm
DL-DB1x4	240*240*85.5mm	205*195mm	37W	>3250lm

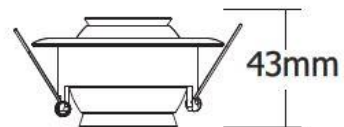
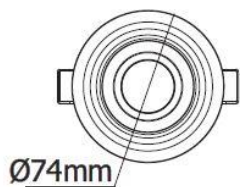
## The Main Parameter of Exquisite C1 series

Part Number	Dimension $\pm 2\text{mm}$	Punch $^{+3\text{mm}}_{-0}$	Power $\pm 10\%$ (included power supply)	Lumen $\pm 10\%$
DL-DC1x1	$\Phi 99*65\text{mm}$	$\Phi 80\text{mm}$	6.5W	>585lm
DL-DC1x2	244*122*65mm	192*90mm	13W	>1160lm
DL-DC1x3	360*122*65mm	308*90mm	19W	>1700lm
DL-DC1x4	240*240*65mm	205*195mm	25W	>2170lm

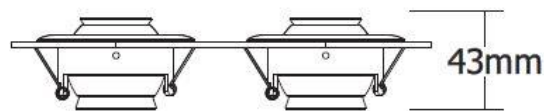
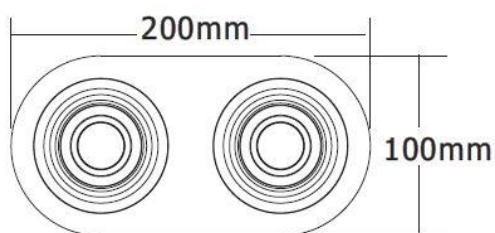
## Structure characteristics



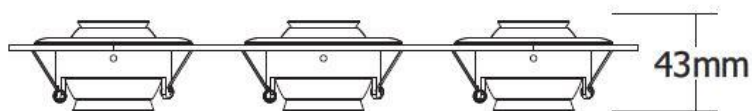
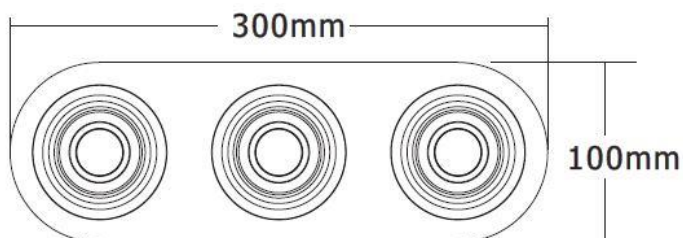
# The dimension of exquisite A1 series:



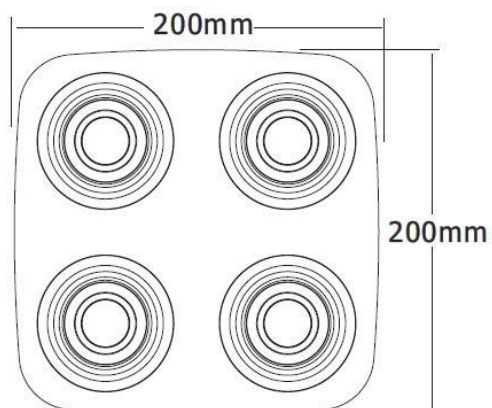
Punch dimension:  $\text{Ø}62 \begin{smallmatrix} +3 \\ -0 \end{smallmatrix} \text{mm}$



Punch dimension:  $158 \times 70 \begin{smallmatrix} +3 \\ -0 \end{smallmatrix} \text{mm}$



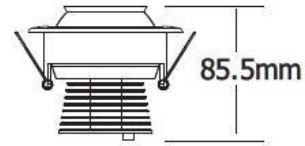
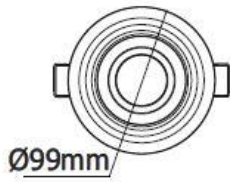
Punch dimension:  $258 \times 70 \begin{smallmatrix} +3 \\ -0 \end{smallmatrix} \text{mm}$



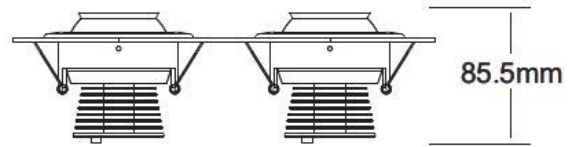
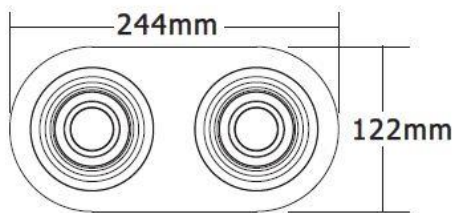
Punch dimension:  $170 \times 158 \begin{smallmatrix} +3 \\ -0 \end{smallmatrix} \text{mm}$

Tolerance range:  $\pm 2 \text{ mm}$

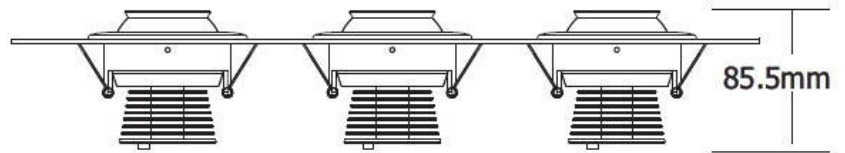
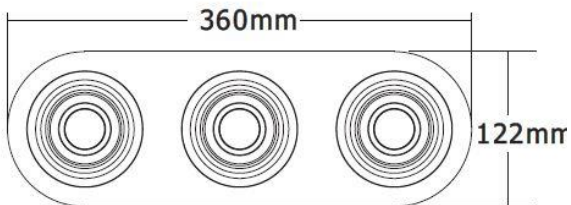
The dimension of exquisite B1 series:



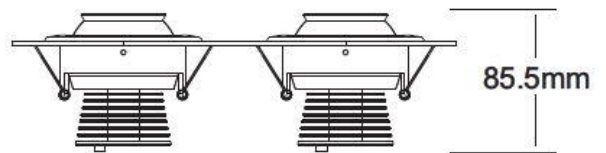
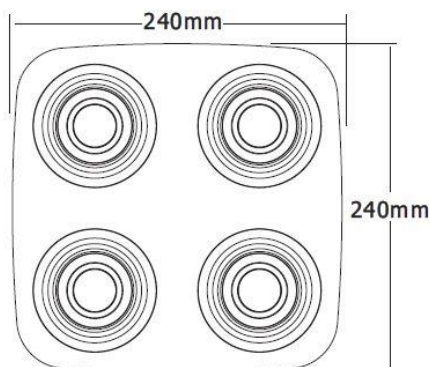
Punch dimension:  $\text{Ø}80 \begin{smallmatrix} +3 \\ -0 \end{smallmatrix} \text{mm}$



Punch dimension:  $192 \times 90 \begin{smallmatrix} +3 \\ -0 \end{smallmatrix} \text{mm}$



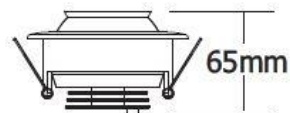
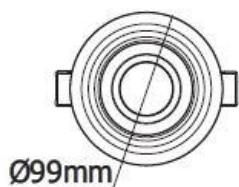
Punch dimension:  $308 \times 90 \begin{smallmatrix} +3 \\ -0 \end{smallmatrix} \text{mm}$



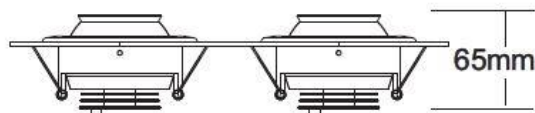
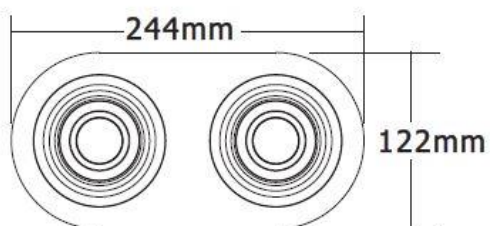
Punch dimension:  $205 \times 195 \begin{smallmatrix} +3 \\ -0 \end{smallmatrix} \text{mm}$

Tolerance range:  $\pm 2 \text{ mm}$

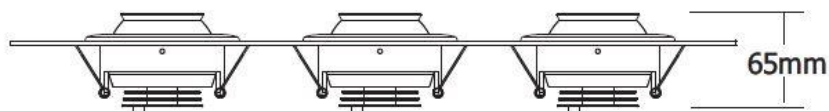
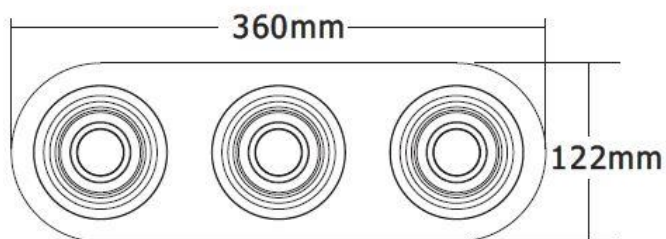
# The dimension of exquisite C1 series:



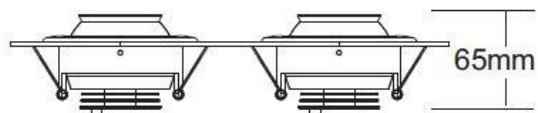
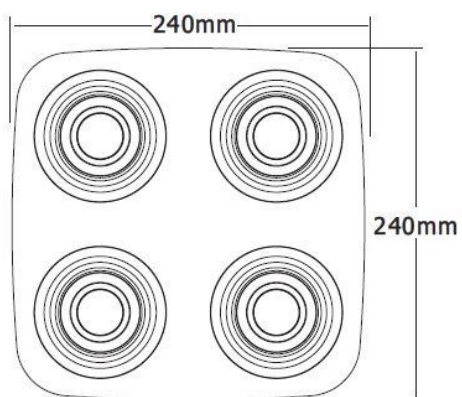
Punch dimension:  $\text{Ø}80 \begin{smallmatrix} +3 \\ -0 \end{smallmatrix} \text{mm}$



Punch dimension:  $192 \times 90 \begin{smallmatrix} +3 \\ -0 \end{smallmatrix} \text{mm}$

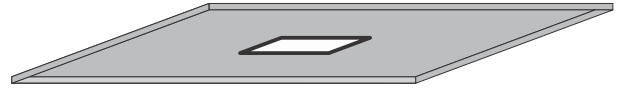
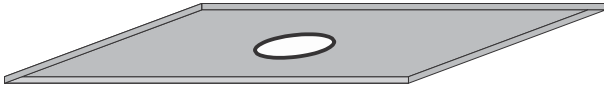


Punch dimension:  $308 \times 90 \begin{smallmatrix} +3 \\ -0 \end{smallmatrix} \text{mm}$

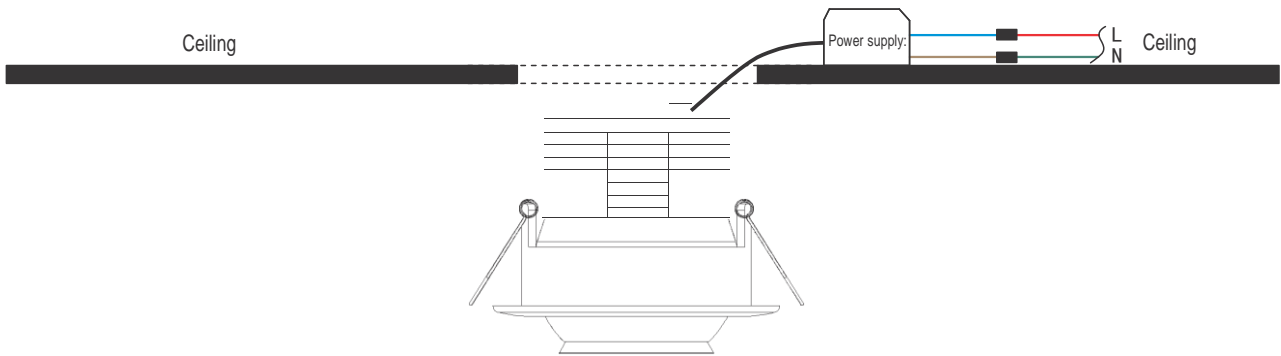


Punch dimension:  $205 \times 195 \begin{smallmatrix} +3 \\ -0 \end{smallmatrix} \text{mm}$

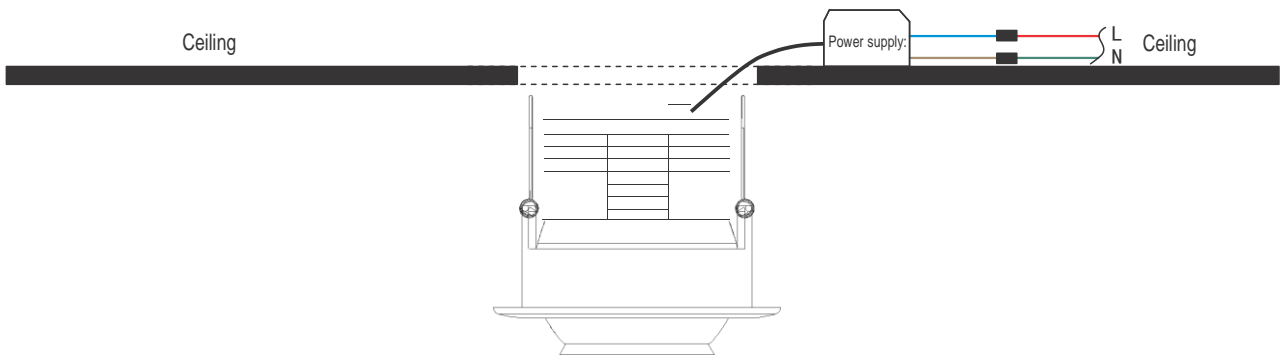
Tolerance range:  $\pm 2 \text{ mm}$



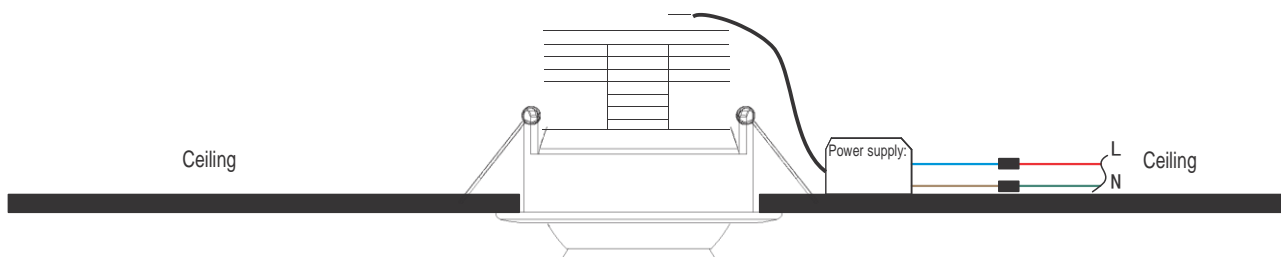
1. As above photo, punch at the place where needs to install the spot light, punch dimension reference to previous page's main parameter form.



2. As above photo, the input line of power supply AC terminal connect with mains supply line (attention: this process should be operated only after cut off the power supply) check the lamp light up or not after connected



3. Confirm light up, Cut off power supply, as above photo, push springs of spot light as vertical and embed lamp into ceiling, finish the installation.



Installation finished.