

Features:

- ★ Concise Down Light Series are a kind of high-end equipment used for indoor lighting. Coated with one-piece die-casting aluminum alloy shell, embedded with imported COB direct lighting source, shielded with anti-glare cover (multiple choices for angles), shape designed with conciseness, elegance, luxuriousness and style, the Concise Down Light Series not only show good lighting performance, but also bring you a sense of beauty. What's more, the smart design of heat dissipation can minimize Lumen depreciation, which will make the light's life longer. Power driver is built-in for each one.
- ★ Extremely short response time, light up instantaneously, no flickering or glare, no stray light, can be turned on and off frequently and be adapted to various lighting.
- ★ No fluorescent flicking, no contamination of Hg or Li.
- ★ LED Size: COB LED
- ★ Working Temperature: -20~50°C.
- ★ Life span is longer than 50,000 hours,
- ★ IP20, non-waterproof.

Photos:



Product Parameters

No.	Item	Concise-A	Concise-B
01	LED Type	Imported COB	
02	CRI	> 80	
03	Color Temperature	2700~3500k(Warm White) 4000~5000K(Neutral White)	
05	IP Rating	IP20	
06	Certificates	CE . RoHS	
07	Operation Temperature	-20°C to + 50°C	
08	Storage Temperature	-30°C to + 80°C	
09	Life Time	>50,000 Hours	

General Data of Concise-A Down Light

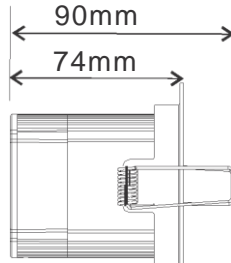
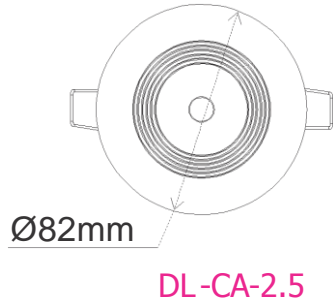
Part Number	Dimension ±2mm	Punch ^{+3mm} ₋₀	Beam Angle	Power±10% (included power supply)	Luminous Flux (±10%)
DL-CA-2.5	Φ 82*74mm	Φ 71mm	12° / 23°	5W	>450lm
DL-CA-3	Φ 98*82mm	Φ 81mm	17° / 38° / 58°	7W	>700lm
DL-CA-4	Φ 120*97mm	Φ 104mm	22.5° / 36.5° / 56°	12W	>1200lm
DL-CA-6	Φ 176*116mm	Φ 150mm	30° / 60°	18W	>1840lm

General Data of Concise-B Down Light

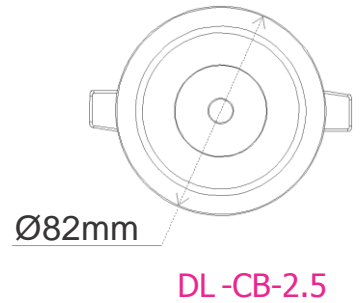
Part Number	Dimension ±2mm	Punch ^{+3mm} ₋₀	Beam Angle	Power±10% (included power supply)	Luminous Flux (±10%)
DL-CB-2.5	Φ 82*74mm	Φ 71mm	12° / 23°	5W	>450lm
DL-CB-3	Φ 98*82mm	Φ 81mm	17° / 38° / 58°	7W	>700lm
DL-CB-4	Φ 120*97mm	Φ 104mm	22.5° / 36.5° / 56°	12W	>1200lm
DL-CB-6	Φ 176*116mm	Φ 150mm	30° / 60°	18W	>1840lm

Dimension of Concise Down Light Series:

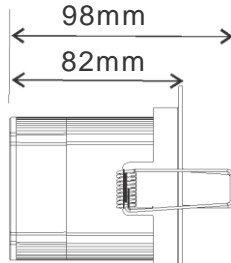
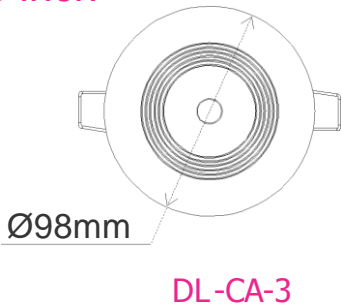
2.5 inch



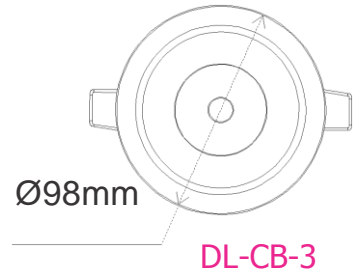
Punch Size: $\text{Ø}71 \begin{smallmatrix} +3 \\ -0 \end{smallmatrix}$ mm



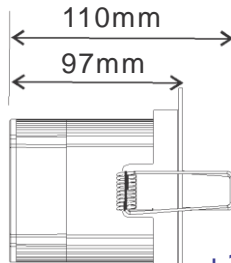
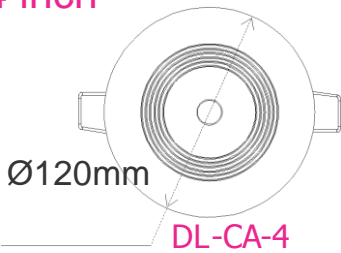
3 inch



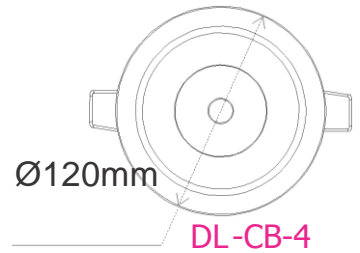
Punch Size: $\text{Ø}84 \begin{smallmatrix} +3 \\ -0 \end{smallmatrix}$ mm



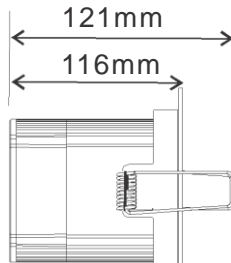
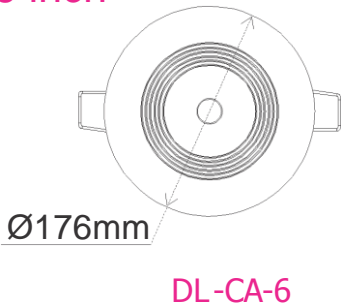
4 inch



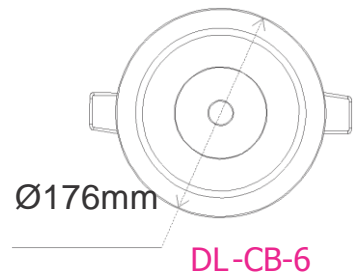
Punch Size: $\text{Ø}104 \begin{smallmatrix} +3 \\ -0 \end{smallmatrix}$ mm



6 inch

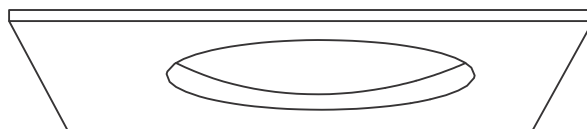


Punch Size: $\text{Ø}150 \begin{smallmatrix} +3 \\ -0 \end{smallmatrix}$ mm

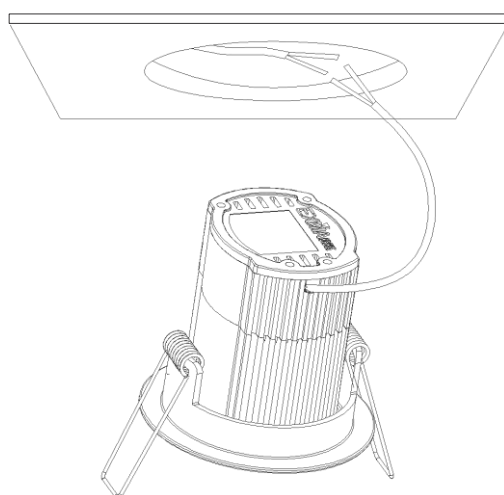


Tolerance range: ± 2 mm

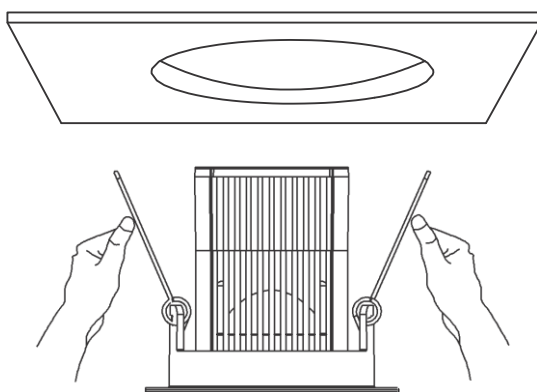
Installation of Concise Down Light Series:



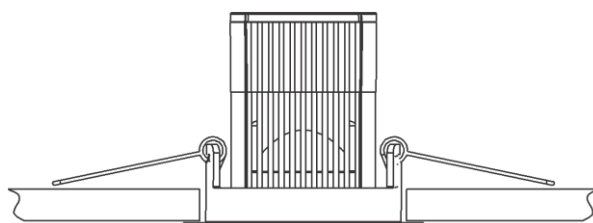
1. As above photo, punch at the place where needs to install the down light, punch dimension reference to previous page's main parameter form.



2. As above photo, the input line of power supply AC terminal connect with mains supply line (attention: this process should be operated only after cut off the power supply) check the lamp light up or not after connected



3. Confirm light up, Cut off power supply, as above photo, push springs of down light as vertical and embed lamp into ceiling, finish the installation.



Installation finished.