

LED Panel Light

B&N-S0303-20W-CCT

B&N-R0603-20W-CCT

B&N-S0606-40W-CCT

B&N-R1203-40W-CCT

B&N-R1206-80W-CCT

B&N-R180-9W-CCT

B&N-R240-15W-CCT

B&N-R300-18W-CCT

B&N-R600-40W-CCT



Features:

1. Five years warranty for panel, and three years warranty for driver. If fixture can not work owing to quality problem, Line Lite International BV/CDE Technology BV will make repair or replacement for free. Shipping cost not included.
2. The whole lighting efficiency of the fixture can be up to 100 lm/w, including driver. Our panel is with the most brightness and highest lighting efficiency in the market.
3. Dimmable options are available: Motion sensor dimming solution, Dali dimming solution, 0 - 10v dimming solution, Triac dimming solution.
4. Emergency version is available. Line Lite International BV/CDE Technology BV LED panel emergency pack can support 50w panel to work for 3 hours.
5. Super Slim: The PMMA is 4mm, and the whole thickness of panel is only 12mm. Elegant and very easy for installation.
6. Light is extremely uniform
7. Special circuit design, each LED can work separately thus it can avoid the influence that a broken LED causes.
9. Aluminum panel frame contributes to excellent heat dissipation.
10. Frame shape options: flat, step.
11. Frame color options: Bright Silver/ Various White Colors/ Black/ Grey/ Customized
12. No electric wave
13. No such hazard that mercury or lead enters the environment
14. No RF interference



Applications:

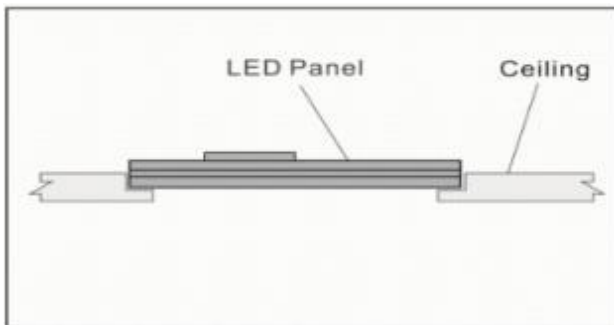


1. Office lighting first option
2. Commercial purposes
3. Residential lighting
4. Schools and Hospitals
5. Places where energy saving and high color rendering index lighting are needed

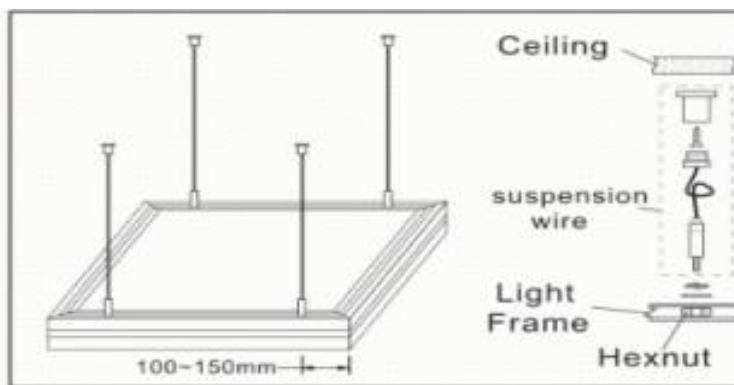


Installation manual of LED panel light (Three mode)

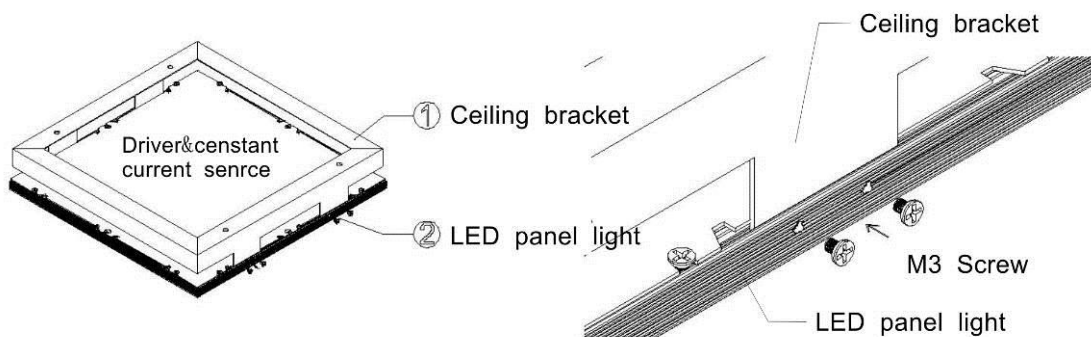
一. Put the panel on the ceiling directly manual.



二. Suspended installation manual (Need hanging accessories).



三. Surface-mounted installation manual (Need ceiling bracket accessories).





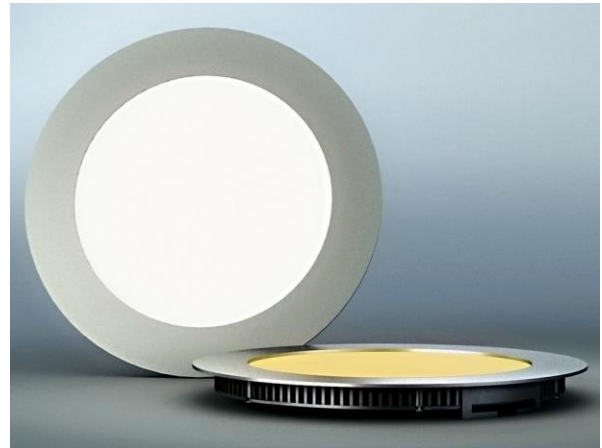
CCT dimmable led panel 100LM/W
CRI minimum 80
CE / RoHS

Size	Model No	Total Watts	Led q'ty (2835)	CCT	Lumen (lm)
295X295X11MM	B&N-S0303-20W-CCT	20 W	240 pcs	2800-3200K 4000-4500K 6000-6500K	1800±5% lm 1900±5% lm 2000±5% lm
595X295X11MM	B&N-R0603-20W-CCT	20 W	240 pcs	2800-3200K 4000-4500K 6000-6500K	1800±5% lm 1900±5% lm 2000±5% lm
595X595X11MM	B&N-S0606-40W-CCT	40 W	480 pcs	2800-3200K 4000-4500K 6000-6500K	3600±5% lm 3700±5% lm 3800±5% lm
1195X295X11MM	B&N-R1203-40W-CCT	40 W	480 pcs	2800-3200K 4000-4500K 6000-6500K	3500±5% lm 3600±5% lm 3700±5% lm
1195X595X11MM	B&N-R1206-80W-CCT	80 W	960 pcs	2800-3200K 4000-4500K 6000-6500K	7200±5% lm 7400±5% lm 8000±5% lm



CCT Dimmable round panel 100LM/W

- **Construction:** pc body/heat sink
- **LED source:** lower heat resistant of SMD led 2835
- **Power factor:** >0.9
- **Listing:** CE / RoHS....



**LED Round panel CCT Dimmable-100lm/w
CRI minimum 80
CE / RoHS**

Size	MODEL	Watts	Led q'ty (SMD 2835)	Color Temp.	Lumen (lm)
Φ180X14MM	B&N-R180-9W-CCT	9w	60 pcs	2800-6000K	900-950 lm
Φ240X14MM	B&N-R240-15W-CCT	15w	90 pcs	2800-6000K	1300-1400 lm
Φ300X14MM	B&N-R300-18W-CCT	18w	120 pcs	2800-6000K	1700-1800 lm
Φ600X14MM	B&N-R600-40W-CCT	40w	240 pcs	2800-6000K	3800-4000 lm





Line Lite International BV /CDE Technology BV Products Warranty

Line Lite International BV/ CDE Technology BV ensures 3 years warranty for most products to purchasers and 5 years warranty for LED Panel, LED Tube & LED Down Light against manufacturing defects in material or workmanship.

“Warranty Period” will begin at the date of original Product purchase from either Line Lite International BV / CDE Technology BV, or an authorized Line Lite International BV/ CDE Technology BV Distributor, Line Lite International BV/ CDE Technology BV will repair or replace product covered under this warranty.

Only Line Lite International BV/ CDE Technology BV manufactured products may be returned through Line Lite International BV/ CDE Technology BV. Line Lite International BV/CDE Technology BV warranty is further conditioned and will only apply to Line Lite International BV/CDE Technology BV products that are properly installed. This includes wiring and connection to proper approved components and product working environments. This Warranty is void and does not apply to products that fail as a result of neglect, mistake, misuse, alteration, or that is improperly installed and implemented. Installation and usage of Line Lite International BV/CDE Technology BV products should only be completed in association and complete knowledge of all necessary and related codes, standards and instructions of installation. It is the responsibility of the purchaser to obtain all necessary approvals and to understand the product’s intended use and all relevant instructions, recommendations, and guidelines for the proper installation and use.

Warranty Compensation will be based on evidences that clients provided such as defected products pictures. On the basis of negotiation, if it is urgent for use, Line Lite International BV/CDE Technology BV will provide new replacement firstly, but then defected products must be sent back to us for allowing our inspection and research to find the real reason of product defect. What is not covered under this Limited Warranty is defects of any kind caused or created by improper installation of any kind; damaged caused during shipping to purchaser or beyond; “acts of Nature.”

Line Lite International BV/CDE Technology BV will not cover additional labor costs or Warranty such labor associated with replacement product. This Warranty document represents the only express or implied Warranty.



5 years warranty