

Features

- Light source: 10W **SHARP** LED
- Long LED life: More than 40,000 hours
- Low heat, less than 60°C for 10W
- No UV or IR light radiation
- No mercury or other inorganic chemicals
- Highest Color-rendering index: Ra >85
- Homogeneous flood illumination
- Machined aluminum heat fins with excellent thermal efficiencies
- The 10W AR111 is available in the following white color temperature:
2850K (Warm White)
- 10 watt AR111 Lux/Lm values equivalent to 50 watt traditional lamp types
- 3 year limited warranty on mechanical failures

Typical Applications

- Retail Store Lighting
- Commercial Lighting
- Display Case Accent
- Spot Lighting
- Mood Lighting/General Lighting
- Museum/Hotel Lighting
- Sustainable Energy
- Energy Saving Program



PRODUCT SPECIFICATIONS

LIGHT SOURCE	10W SHARP COB LED
OPTICS	Optic lense and metalized coated aluminum reflector
BULB TYPE	AR111 series
BEAM ANGLES	12°/24°/36°/50° ±2°
RENDERING INDEX (Ra)	>85(warm white)
TOTAL LENGTH	76±1.5MM (including pins)
WEIGHT	220±5g
HEATSINK	Pure aluminum with anodized finish
BASE TYPE	GU10/230 v – GX 5.3 / 12 volts
DIMMABILITY	Dimmable

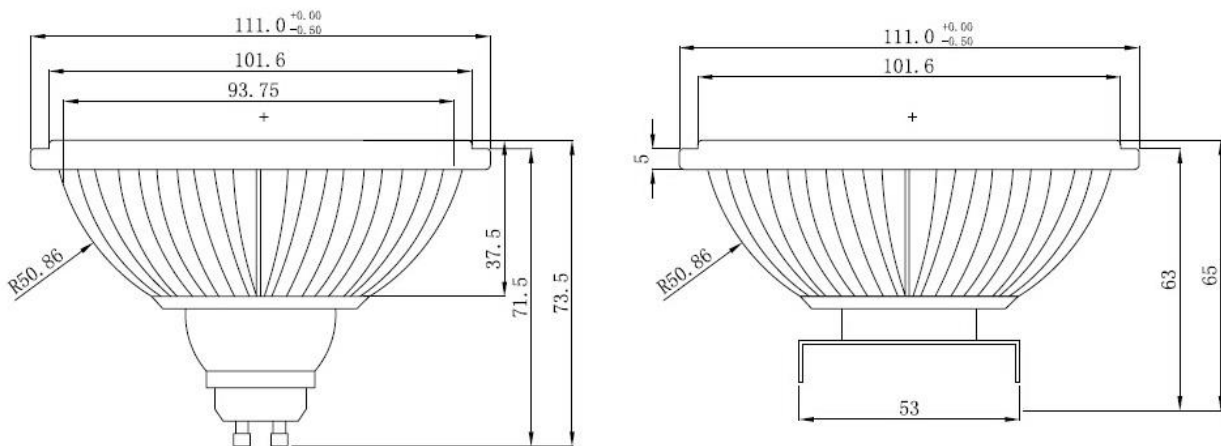
ENVIRONMENTAL SPECIFICATIONS

TEMPERATURE RANGE	Ambient: -20°C to 40°C; Surface of Lamp: 60°C to 70°C
HUMIDITY RANGE	0 to 95% non-condensing humidity

ELECTRICAL SPECIFICATIONS

VOLTAGE REQUIREMENT	12 VDC / 230VAC
POWER CONSUMPTION	10W±10%
POWER FACTOR	>0.9

PRODUCT DIMENSIONS (mm)



PRODUCT ORDERING CODE

Order Code	Color	CCT (K)	Beam Angle ±2°	Base Type	Operating Voltage	Power ±10%	Typical Luminous Flux (lm) ±10%	Typical Illuminance @ 3m (Lux) ±10%
12degr.	Warm White	2850 K	12	Gx5.3 GU10	12 VDC 230V AC	10W	540	197
24degr.			24					
36degr.			36					
50degr.			50					

Typical Electrical Characteristics at T_a=25°C

Parameter	Symbol	Min	Typ	Max	Unit
Input Voltage (AC)	V _{AC}	100	230	240	V
Input Current	I _F	-	48	-	mA
Estimated Life[*]		-	40.000	-	hours
Optimized Body Temperature (10W LED)	T	52	55	58	°C

Note[*] – Manufacturer projects NAR111 made with **SHARP** LED to maintain an average of 70% lumens maintenance after 40,000 hours. This estimation is made based on data from **SHARP** Micro Electronics



LIMITED WARRANTY

Manufacturer warrants to the Purchaser that each Product manufactured and sold by it will be free from defects in material and workmanship in its intended use (normal wear and tear excepted) for the period of two years from manufactured date. Manufacturer's warranty flows only to Purchaser. If any Product covered by this warranty is returned by Purchaser in accordance with Manufacturer's Products Return Policy, including without limitation its return authorization provisions, within the applicable warranty period set forth above, and upon examination Manufacturer determines to its satisfaction that such Product was defective in material or workmanship at the time of delivery to the Purchaser, Manufacturer will, at its option, repair or replace the Product or the defective part thereof, or reimburse Purchaser for the purchase price. For purposes of clarity, "repair or replace the Product or the defective part thereof" does not include any reinstallation costs or expenses. If Manufacturer chooses to replace the Product and is not able to do so because it has been discontinued or is not available, Manufacturer may replace it with a comparable product. The Products Return Policy is posted on Manufacturer's Internet web site at <http://www.ledpagina.info>. The foregoing notwithstanding, Manufacturer will not be responsible for damage to any Product resulting from misuse, negligence, acts of God or accident or resulting from repairs or alterations made by any person or firm not duly authorized by Manufacturer in writing. Purchaser shall convey with each Product distributed to end users the MANUFACTURER'S LIMITED WARRANTY included by Manufacturer with such Product, and, if Manufacturer determines that the appropriate remedy for a defective product is refund of Purchaser's purchase price, Purchaser shall refund to the end user (or arrange for the refund to the end user of) the full purchase price paid by the end user for such defective Product.

THIRD PARTY WARRANTIES

With respect to products sold to the Purchaser by Manufacturer but not manufactured by Manufacturer, MANUFACTURER MAKES NO WARRANTY OF ANY KIND, EXPRESS OR IMPLIED, INCLUDING, WITHOUT LIMITATION, ANY WARRANTY OF MERCHANTABILITY OR FITNESS FOR A PARTICULAR PURPOSE, but will make available to the Purchaser, to the extent permitted by law and relevant contracts, the warranties of the manufacturer of the relevant product upon the Purchaser's timely written request.

NON-IMPLIED WARRANTIES

THE WARRANTIES GIVEN IN THESE TERMS ARE THE ONLY WARRANTIES GIVEN BY THE MANUFACTURER WITH RESPECT TO THE PRODUCTS AND ARE GIVEN IN LIEU OF ALL OTHER WARRANTIES, EXPRESS OR IMPLIED, INCLUDING, BUT NOT LIMITED TO, WARRANTIES OF MERCHANTABILITY, OF NON INFRINGEMENT AND OF FITNESS FOR A PARTICULAR PURPOSE. PURCHASER'S EXCLUSIVE REMEDIES, AND MANUFACTURER'S SOLE LIABILITY, FOR ANY NONCONFORMITY OR DEFECT IN ANY PRODUCT SHALL BE THOSE EXPRESSED HEREIN.

LIMITATION OF LIABILITY

An essential purpose of the limited exclusive liabilities and remedies in this Agreement is allocation of risks between Manufacturer and Purchaser, which allocation of risks is reflected in the purchase price for the Products. UNDER NO CIRCUMSTANCES SHALL MANUFACTURER'S LIABILITY ARISING OUT OF OR IN CONNECTION WITH THIS AGREEMENT OR MANUFACTURER'S PERFORMANCE OR ASSERTED FAILURE TO PERFORM HEREUNDER, IN CONTRACT, TORT (INCLUDING NEGLIGENCE) OR OTHERWISE, EXCEED THE PURCHASE PRICE OF THE PRODUCT TO WHICH SUCH LIABILITY RELATES. IN NO EVENT SHALL MANUFACTURER BE LIABLE FOR SPECIAL, INCIDENTAL OR CONSEQUENTIAL DAMAGES, INCLUDING, WITHOUT LIMITATION, DAMAGES RESULTING FROM LOSS OF USE, PROFITS, BUSINESS OR GOODWILL, WHETHER OR NOT MANUFACTURER HAS BEEN ADVISED OF THE POSSIBILITY THEREOF.

Specifications are subject to change without notice.
Copyright Line Lite International B.V. All rights reserved. 2015